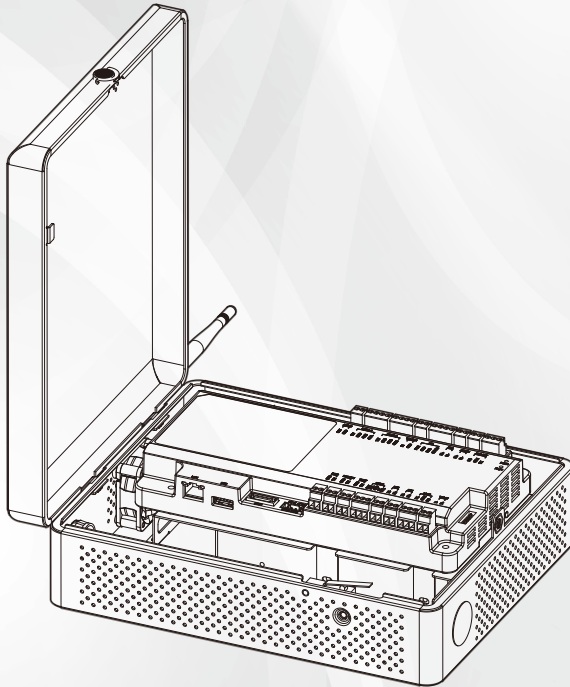


# Quick Start Guide

---

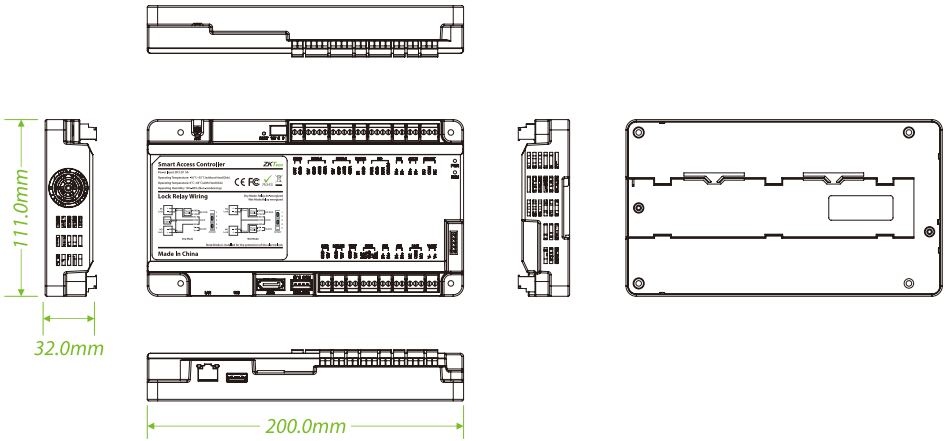
## CVEdge160

Version: 1.0

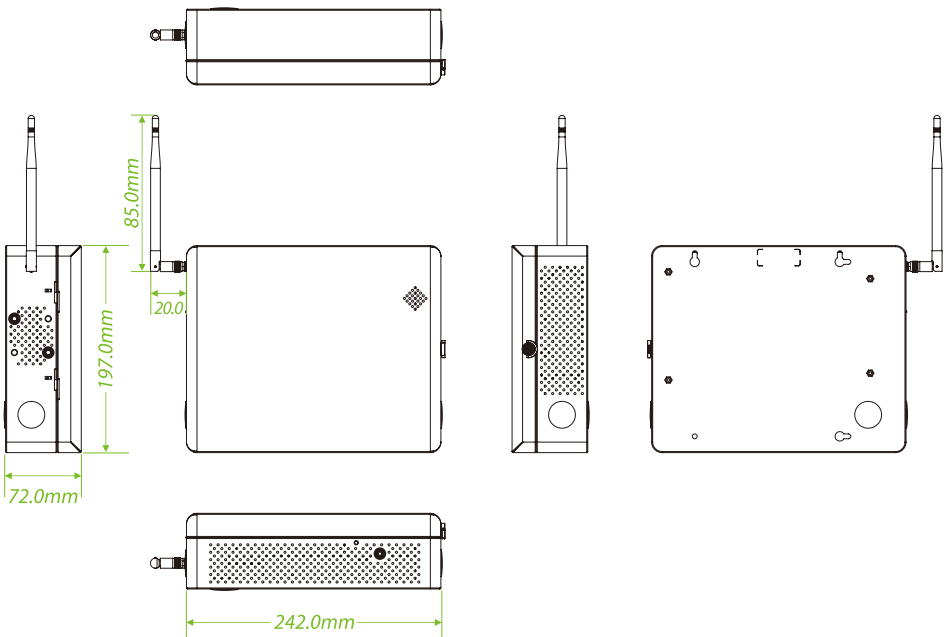


# 1. Overview

## CVEdge160



## Enclosure

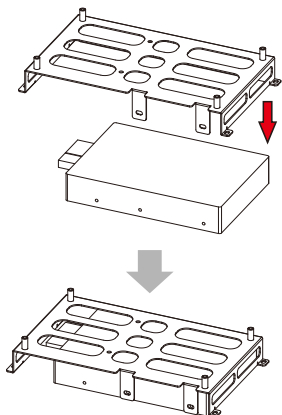


## 2. Installing the controller into the enclosure

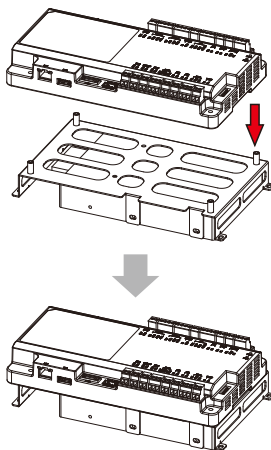
### ❖ Installing the controller into the enclosure

- ① Secure the hard drive in the bracket.
- ② Then use screws to fix the controller to the bracket.
- ③ Finally, install the bracket into the enclosure and insert the rubber plugs on both sides.

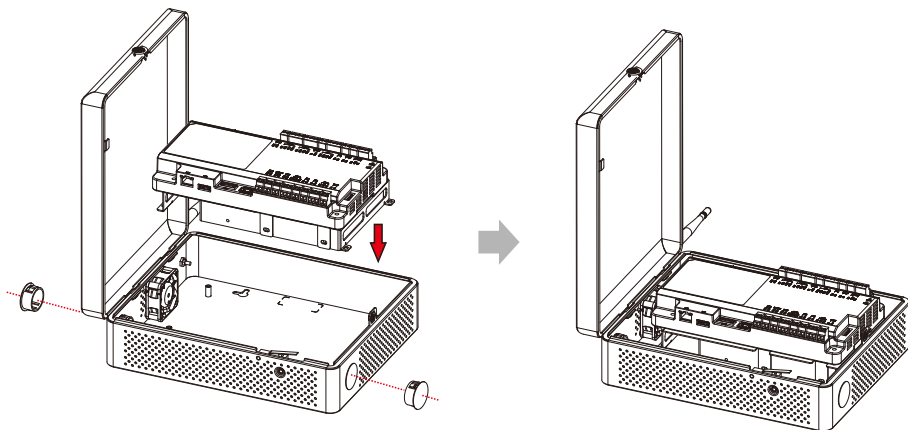
1



2



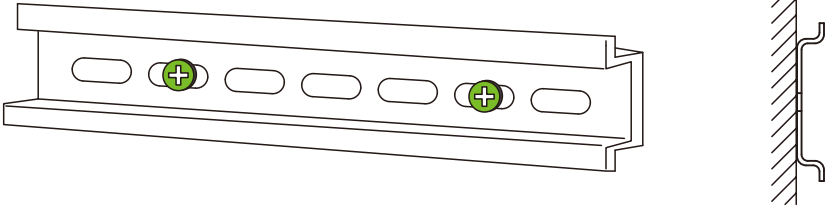
3



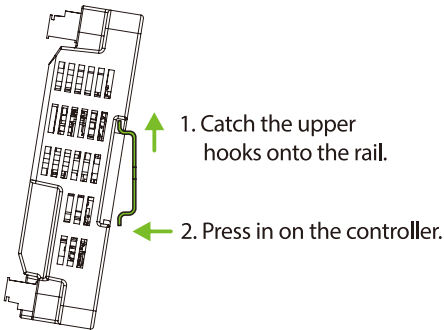
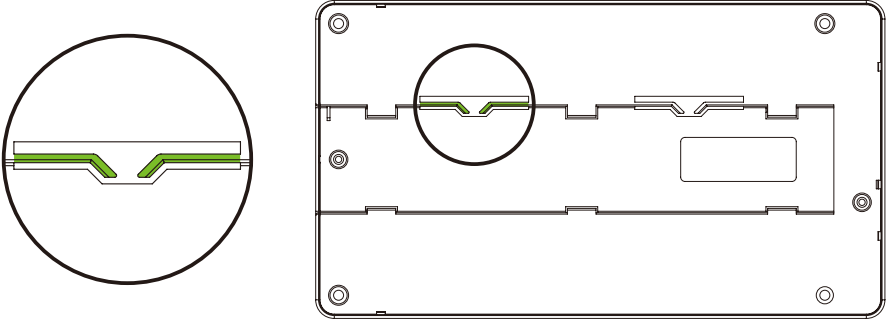
## ❖ Installation with 35mm rail

- ① Mount the rail directly onto a flat surface, as illustrated in the figure below. Then use screws to fix the controller to the bracket.
- ② Engage the hooks on the top of the controller with the rail and firmly press the controller onto the rail until it locks into place.

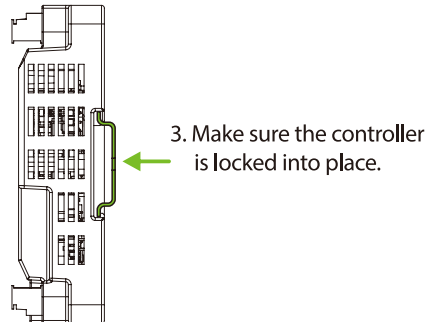
1



2

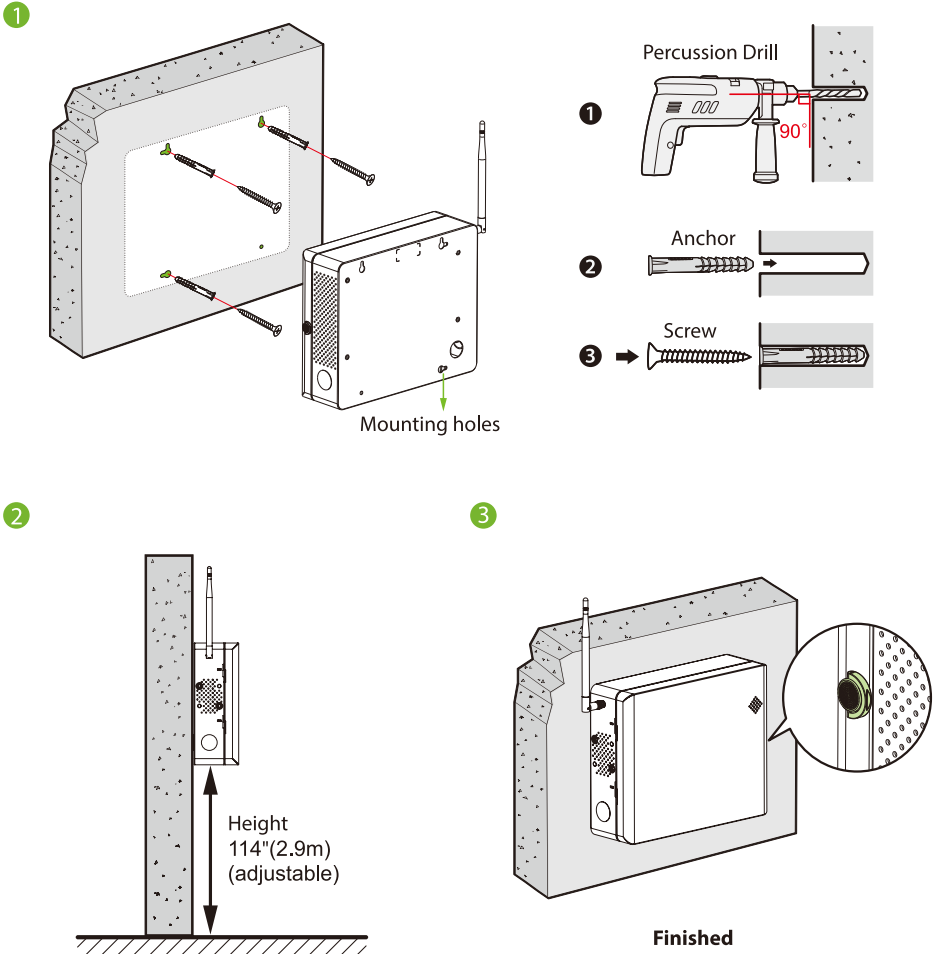


2. Press in on the controller.

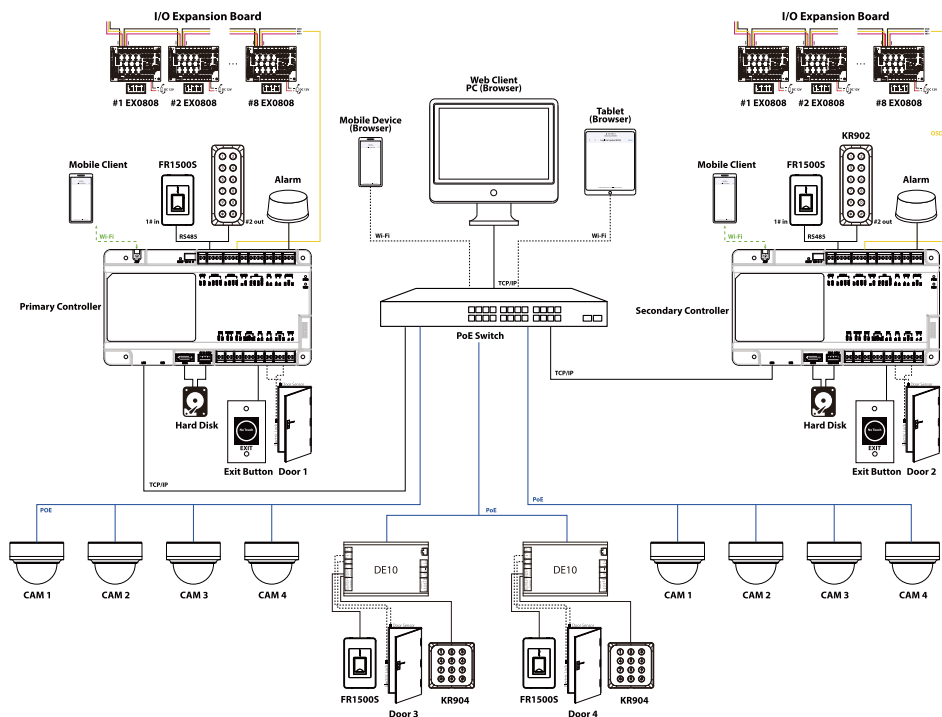


## ❖ Installation of the Metal Enclosure on the wall

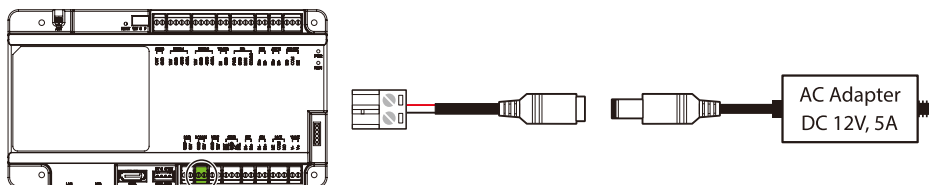
- ① According to the mounting holes position of the metal enclosure. Drill three mounting holes in a suitable spot on the wall and make sure it is about 114 inches (2.9m) above the ground, which can be adjusted according to actual needs. Take care to leave at least 3.937 inches (100 mm) on the left side of the metal enclosure.
- ② Insert anchors into the mounting holes and place self-tapping screws into them.
- ③ Then hook the metal enclosure onto the wall as shown below. Secure the metal enclosure in place.



### 3. Controller System Installation



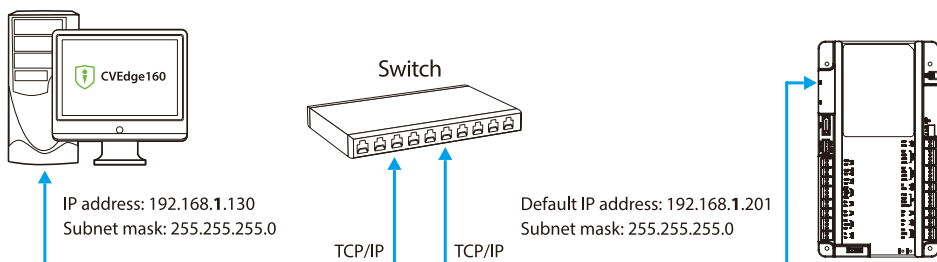
### 4. Power Connection



- Recommended AC adapter: **12V, 5A**
- To share power with other devices, use an AC adapter with higher current ratings.

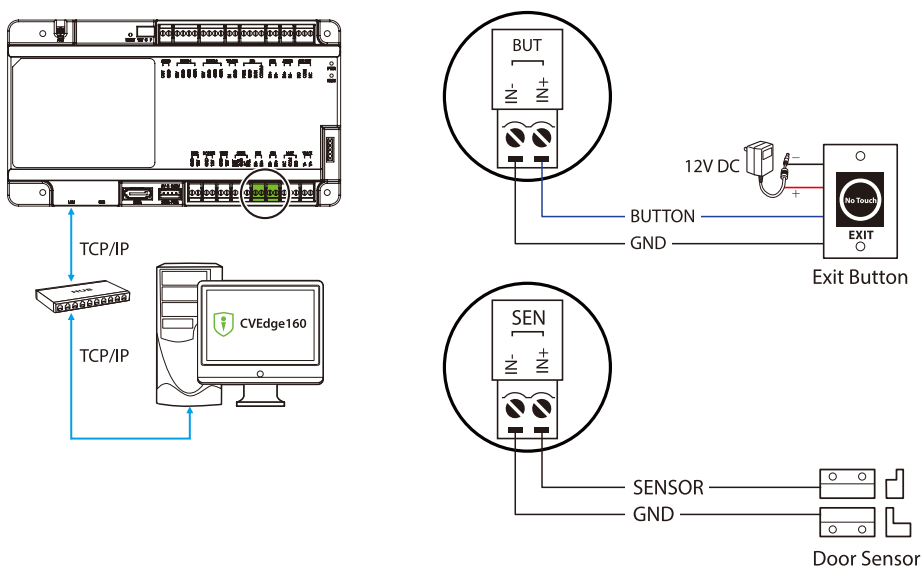
## 5. Ethernet Connection

Establish the connection between the device and the software using an Ethernet cable. An illustrative example is provided below:

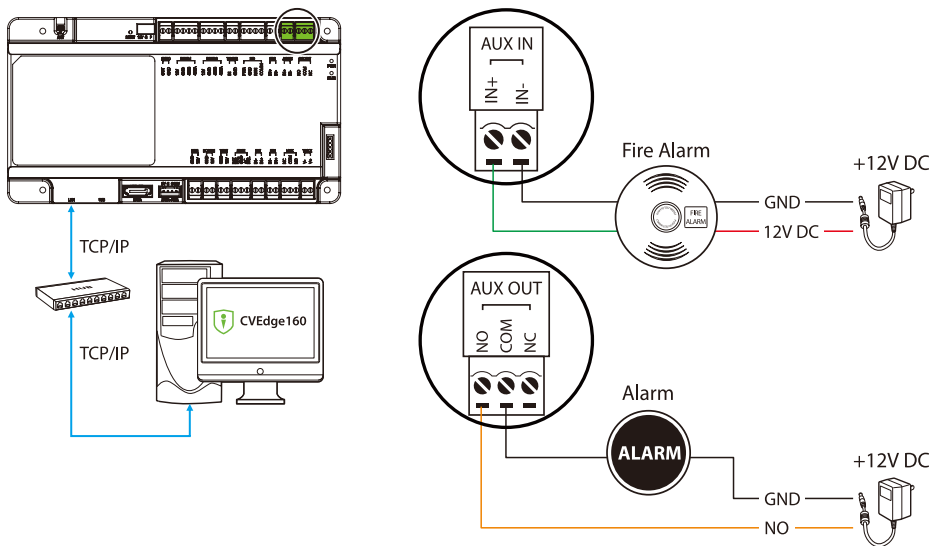


**Note:** In LAN, IP addresses of the server (PC) and the device must be in the same network segment when connecting to the software.

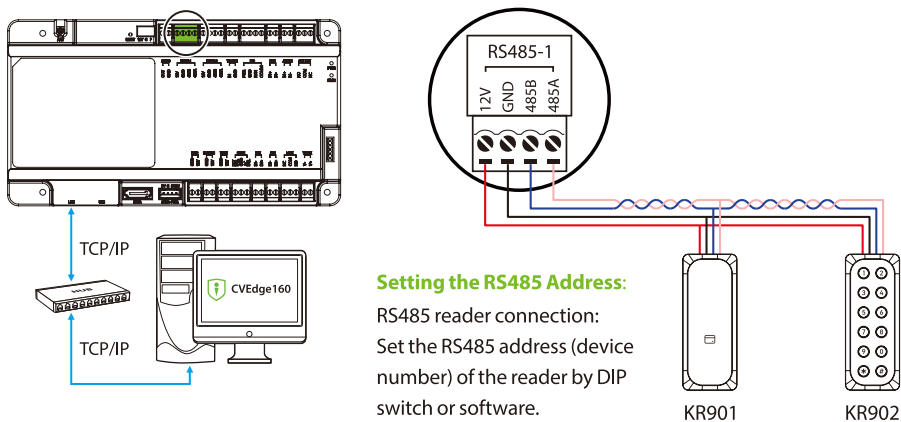
## 6. Exit Button & Door Sensor Connection



## 7. Auxiliary Input & Output Connection

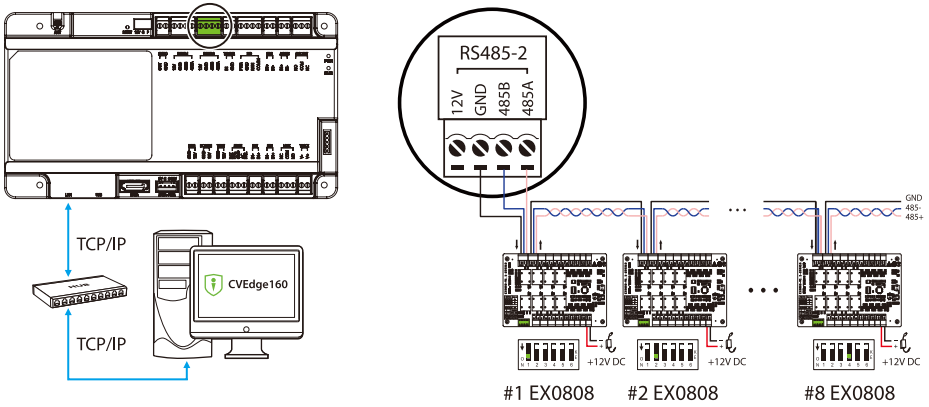


## 8. RS-485 Connection



Controller \ RS485 address	1	2
CVEdge160	#1Door IN	#1Door OUT

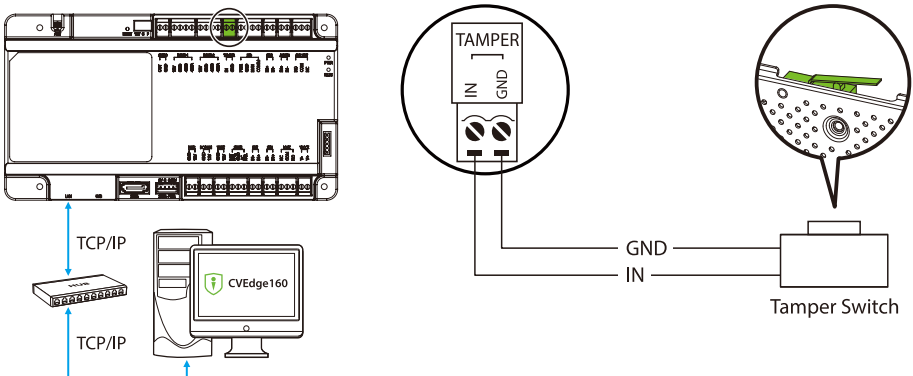
## 9. EX0808 Connection



### Important Notes:

1. Configure the ZK485 protocol through the RS485 port to connect up to eight EX0808 expansion boards to expand a certain number of auxiliary inputs and auxiliary outputs.  
Note: Set DIP switch #5 of the expansion board to the OFF position.
2. The RS485 address of each EX0808 is set via the DIP switch before power is applied.
3. Each EX0808 requires a separate power supply. Up to eight auxiliary input devices and eight auxiliary output devices can be connected to one Ex0808.



## 10. Tamper Switch Connection

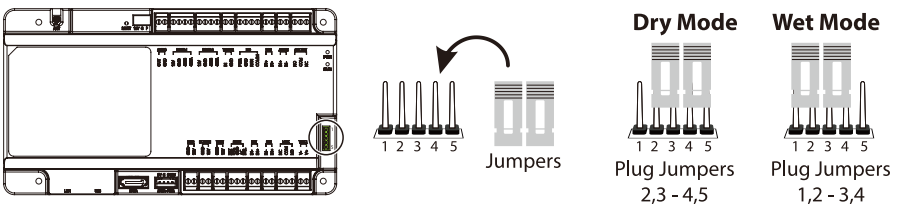


# 11. Lock Relay Connection

## ❖ Switching dry and wet modes

Dry Mode supports separate power supply for the lock using an external independent power supply. Wet Mode supports the lock sharing power with the controller. The factory default jumper setting is dry mode. Switch between wet and dry mode by following the steps below.

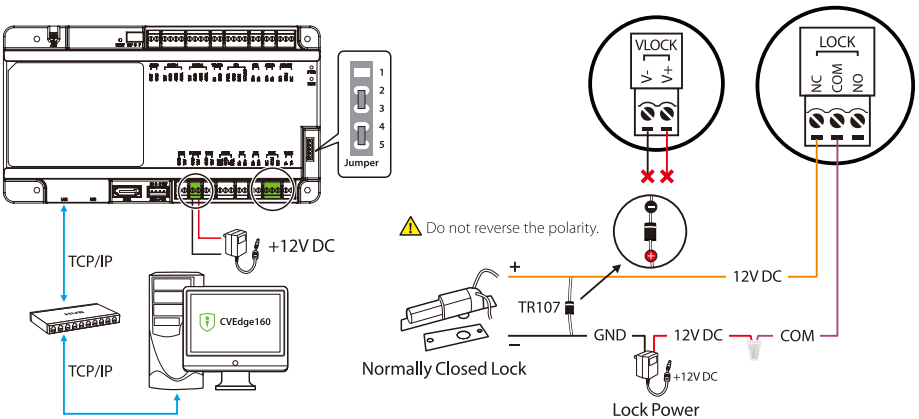
1. Select the appropriate lock relay and locate its jumper on the controller.
2. Remove the jumpers and change the jumper from  to .
3. Once this is done you can follow the wiring of the controller sharing power with the lock.



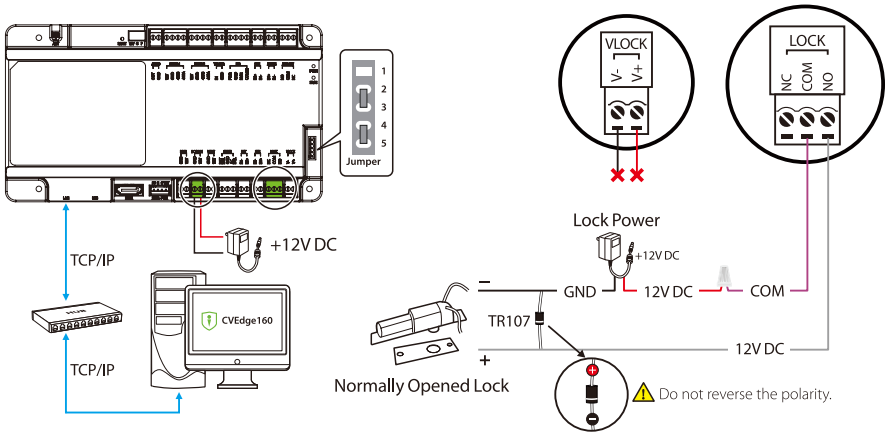
## ❖ Controller not sharing power with the lock(Dry Connect)

The system supports both Normally Opened Lock and Normally Closed Lock. The **NO LOCK** (normally opened at power on) is connected with 'NO' and 'COM' terminals, and the **NC LOCK** (normally closed at power on) is connected with 'NC' and 'COM' terminals. The wiring is as shown in the figure below:

### Normally closed lock powered from lock terminal

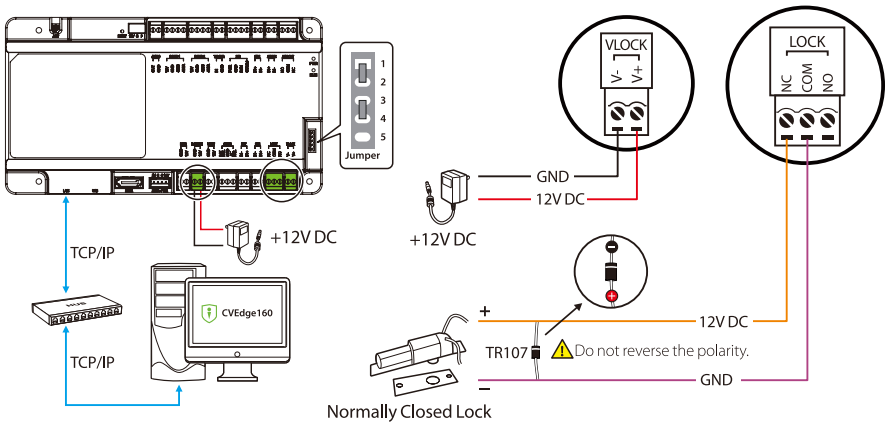


## Normally opened lock powered from lock terminal

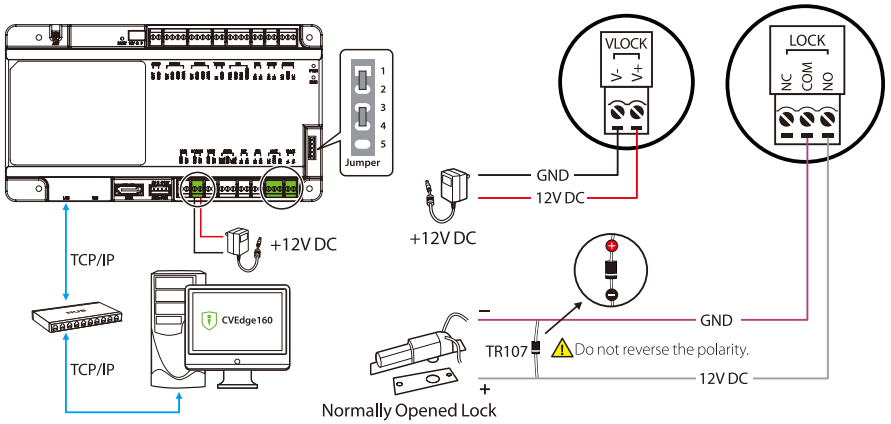


## ❖ Controller sharing power with the lock (Wet Connect)

### Normally closed lock powered from lock terminal



## Normally opened lock powered from lock terminal



# 12. Connect to the Web Server

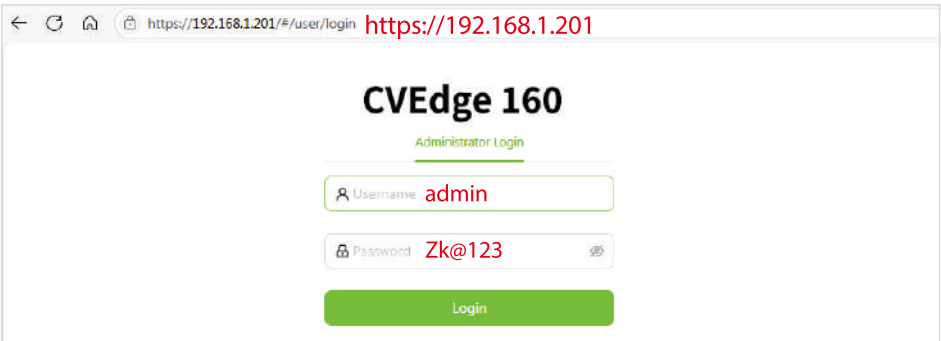
## 1. Opening the Web Server on the browser

After powering on the controller, connect it using a network cable. Access the webservice by entering the IP address in the address bar of your browser. The IP address is set as: <https://device IP address>. The default IP is 192.168.1.201. (for example: <https://192.168.1.201>).

**Note:** In LAN, IP addresses of the server (PC) and the device must be in the same network segment.

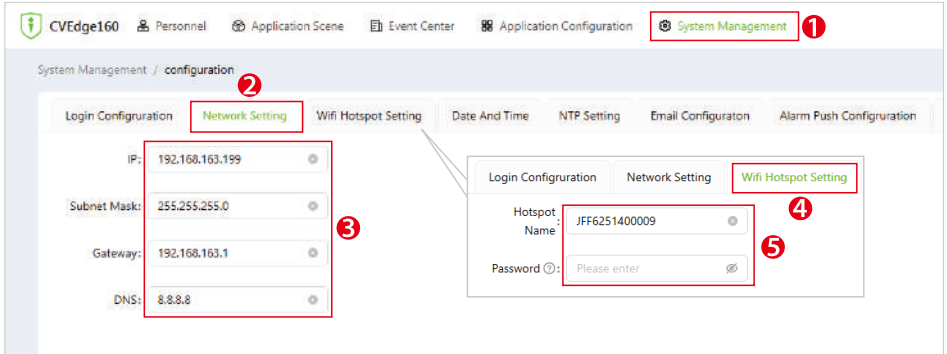
## 2. Login to the WebServer

After entering the login screen, enter the default administrator account and password (the default account is **admin** and the password is **Zk@123**), and click the [Login] button. When you log in to the web server for the first time, you will be prompted to change the administrator's password.



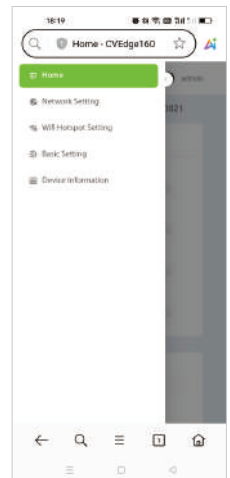
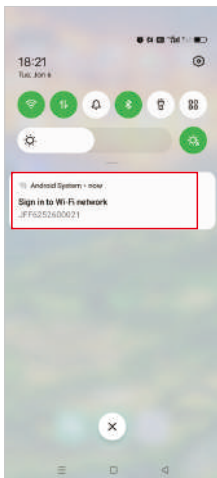
### 3. Ethernet & Wi-Fi Hotspot Settings

Click **[System Management]** - **[Configuration]** in the top menu bar to enter the parameter setting interface. Then click **[Network Setting]** to modify the IP address of the controller. Click **[Wi-Fi Hotspot Setting]** to set the hotspot name and password.



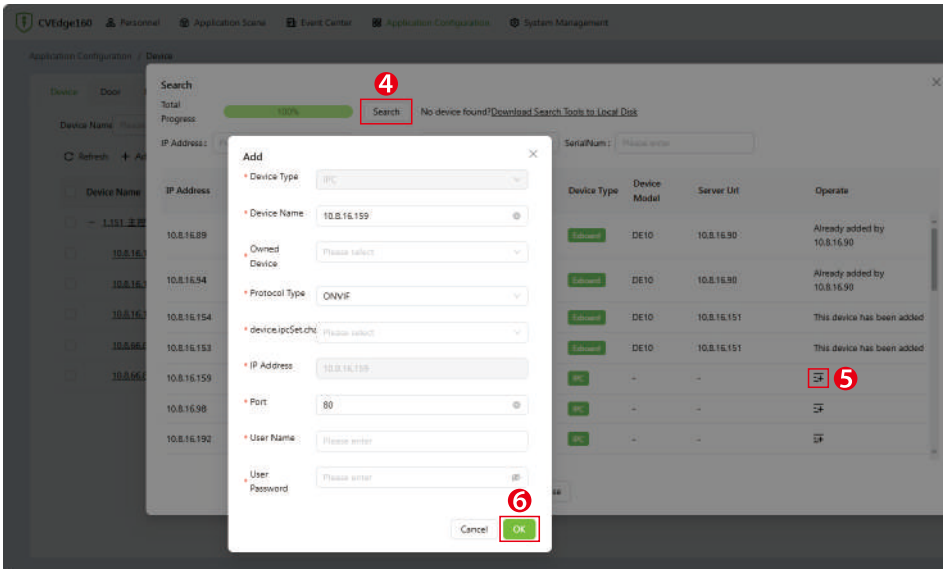
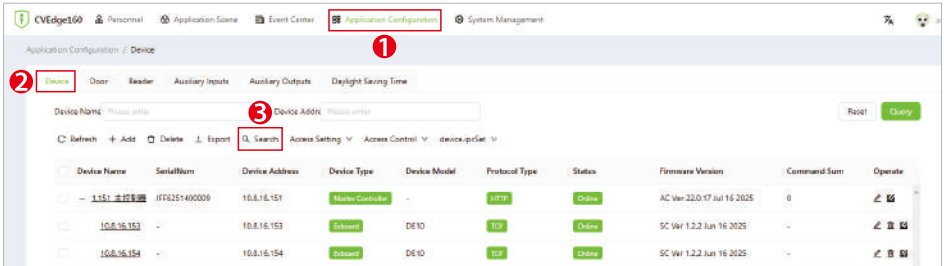
### Access CVEdge160 software via mobile phone:

1. After completing the setup, enable the Wi-Fi function on your smartphone and connect to this hotspot. Connect to the hotspot as prompted, then proceed to the CVEdge160 login screen.
2. Enter your username and password. The default username is admin, and the default password is ZK@123.
3. After logging in, you can view or configure certain parameters.



## 4. Adding a device

1. Click **[Application Configuration] > [Device] > [Search]**, to open the Search interface in the software.
2. Click **[Search]**, and it will prompt Searching.....
3. After searching, the list and total number of devices will be displayed.
4. In the list of searched devices, select the device you want to add (including Sub Controller, Door Unit Exboard, I/O Exboard, IPC), click the **➕ Add** icon, and then enter the relevant parameters in the pop-up window and click **[OK]**.



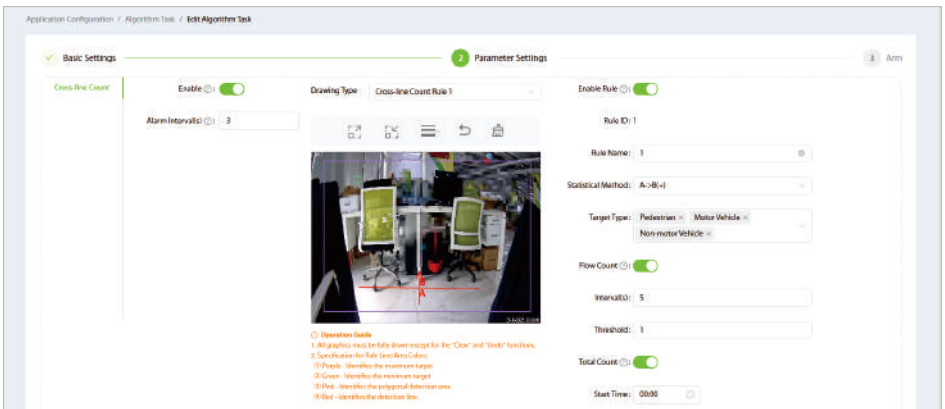
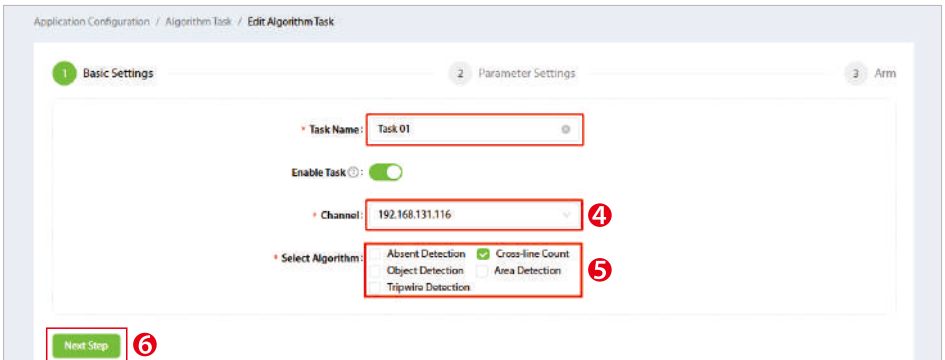
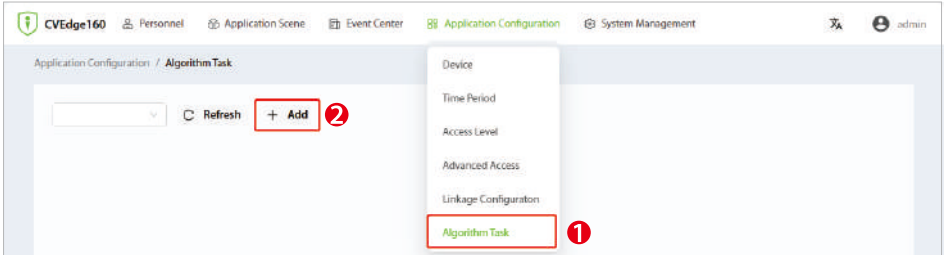
5. Click **[Personnel] > [Person] > [Add]** to register users in the software.
6. Add users to access levels.
7. Click **[Application Configuration] > [Device] > check the device in the list > [Access Control] > [Synchronize All Data to Devices]**.

For more details, please refer to the User Manual.

## 5. Intelligent Video Analytics (IVA) Configuration

By configuring algorithm tasks, you can perform intelligent detection functions such as Absent Detection, Cross-line Count, Object Detection, Area Detection, Tripwire Detection and Anti-tailgating Detection.

1. Click **[Application Configuration] > [Algorithm Task]** to enter the algorithm task settings interface. Click **[Add]** to add a new algorithm task.
2. Then configure the parameters according to your specific needs.



**Note:** For more information on configuring intelligent video analytics (IVA), please refer to the product user manual.

ZKTeco Industrial Park, No. 32, Industrial Road,  
Tangxia Town, Dongguan, China.

Phone : +86 769 - 82109991

Fax : +86 755 - 89602394

[www.zkteco.com](http://www.zkteco.com)

