

Quick Start Guide

C2-260 Access Control Panel

Version: 1.1

1. Cautions

⚠ Please note the following cautions. Mis-operation may lead to any injury or equipment failure:

1. Do not power the system before installation is complete.
2. All peripheral devices must be grounded.
3. The conduits of wires under relay must be matched with metaled conduits, other wires can use PVC conduits.
4. It is strongly recommended that the length of the exposed part of any connection cable should not be longer than 4 mm. Professional clamping tools may be used to avoid unintentional contact of exposed wires to avoid short-circuit or communication failure.
5. It is recommended that the card readers and the buttons should be installed at a height of 1.4m-1.5m above ground.
6. It is recommended to use the power supply for the control panel, and external power supply for each lock.
7. The appliance shall be installed and wired in accordance with the national electrical code and by qualified personnel only.

Description of normal working state:

Connect the system to the power supply. If the system works properly, the POWER indicator (red) is lit constantly and the RUN indicator (green) flashes.

COMM indicator (Yellow): It flashes when the system is communicating with other devices (e.g., PC). When the indicator is flashing rapidly it indicates data transmission. When the indicator is flashing slowly, it indicates real-time monitoring status.

Valve regulated lead-acid battery:

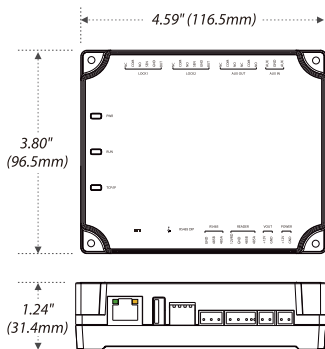
- Constant voltage charge voltage regulation Cycle use: 14.5V to 14.9V(25)
- Initial current: less than 2.88A
- Standby use: 13.6V to 13.8V(25)
- Capacity: 12V, 7.2Ah/20hr
- Battery Type: LC-RA127R2T1

Cautions:

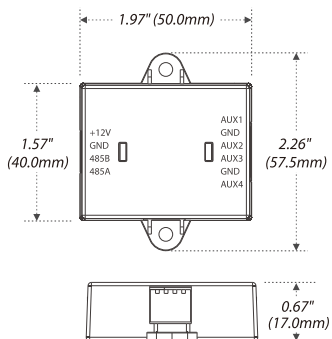
- Do not charge in a gas tight container
- Do not short the battery terminals
- Do not incinerate
- Do not attempt to disassemble the battery
- Flush with water at once if contact is made with electrolyte (Acid).

2. Product Dimension

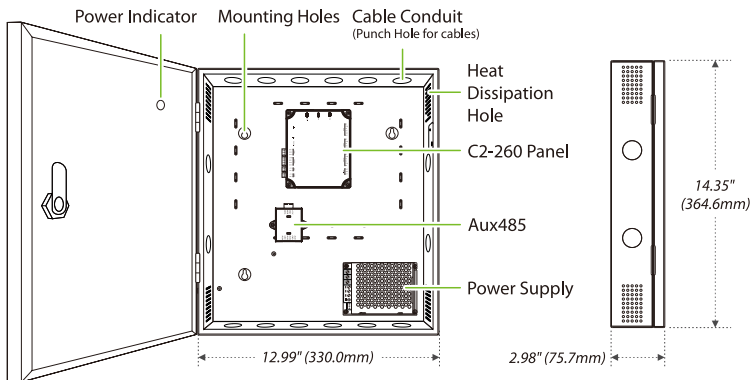
C2-260



Aux485/WR485

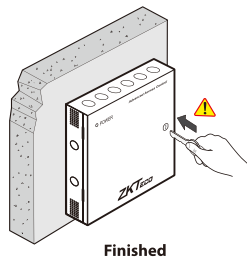
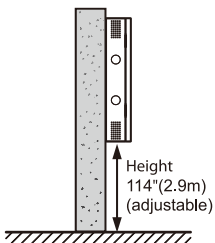
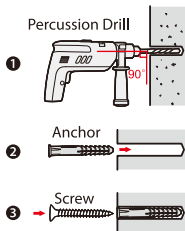
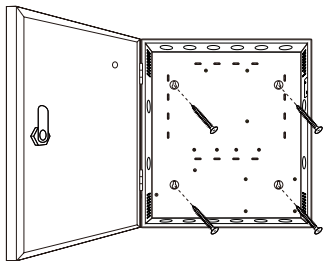


C2-260 Package



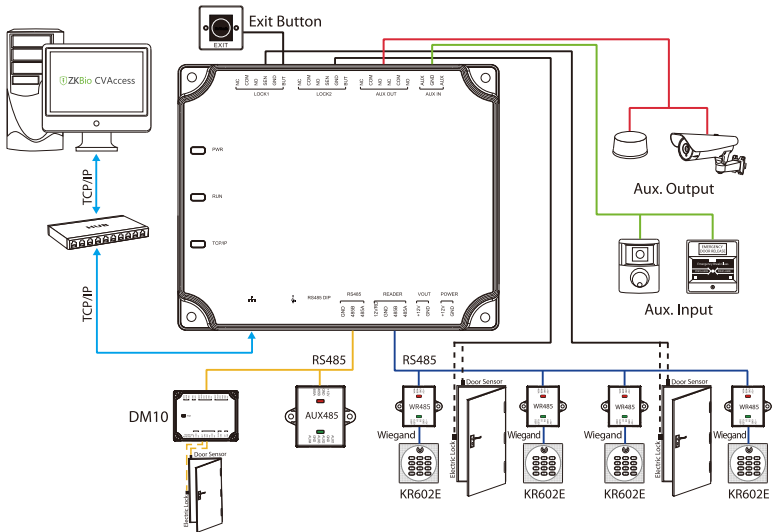
3. Installation of Metal Enclosure on the wall

1. According to the mounting holes position of the metal enclosure. Drill three mounting holes in a suitable spot on the wall and make sure it is about 114 inches (2.9m) above the ground, which can be adjusted according to actual needs. Take care to leave at least 3.937 inches (100 mm) on the left side of the metal enclosure.
2. Place the Anchors in the mounting holes.
3. Then fix the metal enclosure with the self-tapping screws as shown below.



Note: The metal enclosure is equipped with a tamper alarm switch. When it is working normally, please keep the enclosure closed.

4. Controller System Installation

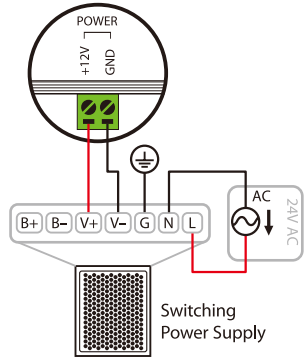
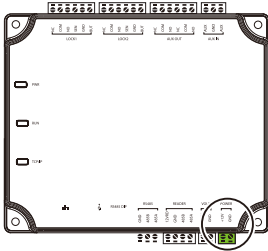


Notes:

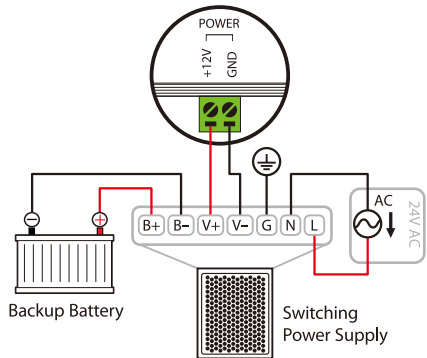
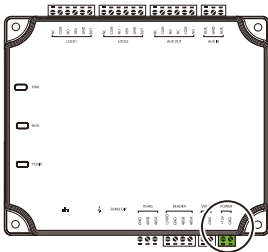
1. The auxiliary input can connect to infrared body detectors, fire alarms, or smoke detectors, etc.
2. The auxiliary output can connect to alarms, cameras or doorbells, etc.
3. PC RS485 indicates the RS485 cable is connected to the DM10/AUX485 through this port. The RS485 Reader port can be connected externally to the RS485 reader.
4. Restore factory setting: The 4th switch of the DIP switch is OFF by default. When it is moved up and down thrice within 5 seconds and finally repositioned to OFF, the factory settings are restored after the access control panel is restarted, and the IP address restores to the default (192.168.1.201) as well.
5. The terminals above are set through the relevant access control software. Please see the respective software manual for further details.

5. Power Connection

❖ Without Backup Battery

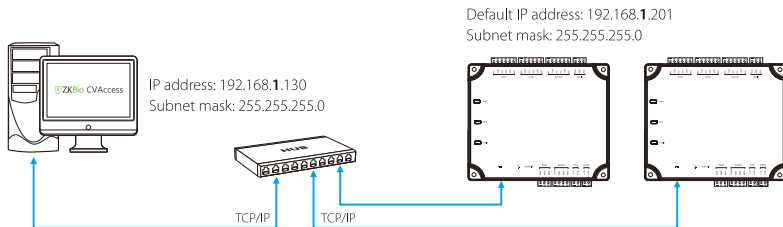


❖ With Backup Battery



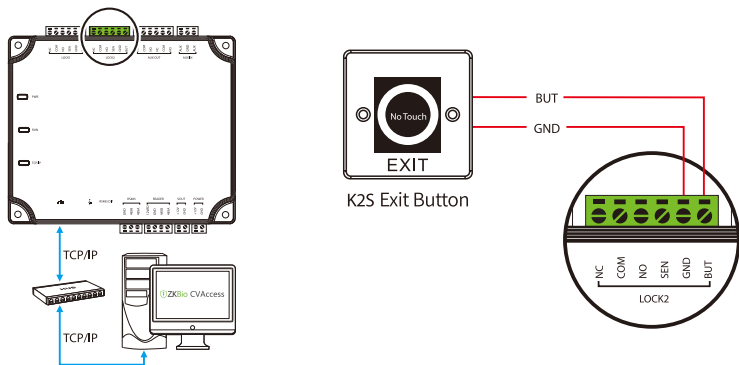
6. Ethernet Connection

Establish the connection between the device and the software using an Ethernet cable. An illustrative example is provided below:

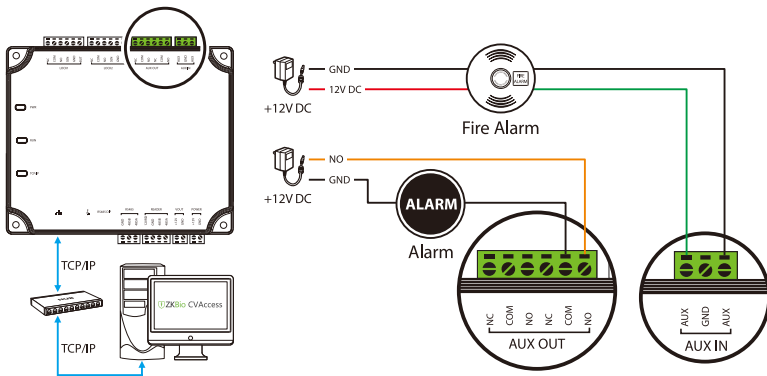


Note: In LAN, IP addresses of the server (PC) and the device must be in the same network segment when connecting to the software.

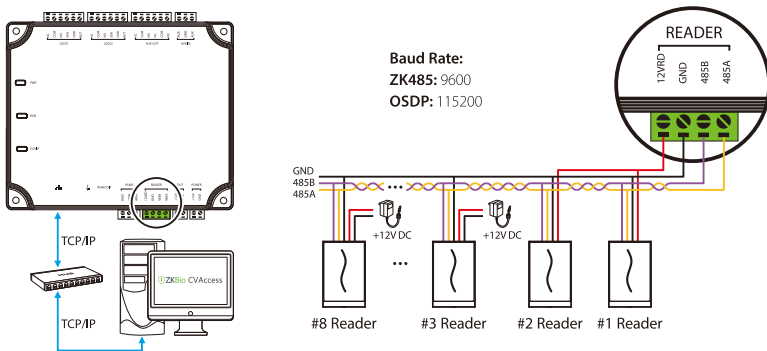
7. Exit Button Connection



8. Auxiliary Input & Output Connection



9. RS485 Reader Connection



Controller Supported RS485 Reader Models:

Reader Model	485 Unencrypted	485 Encryption
ProID101/102/103/104	✓	✗
ProID20/30BEMD-RS	✓	✗
KR900 Series	✓	✓

Remarks:

1. ✓ means connectable, ✗ means not connectable.
2. In 485 communication encryption mode, the ProID100/KR900 reader supports tamper alarm function. When the reader is illegal tampering, it will send a tamper signal to the controller via 485, and the controller will report to the software to form a tamper alarm event. Users can configure the alarm linkage on the software side and connect the alarm to the auxiliary output. Encryption is turned on on the software side via the **Access >Access Device > Reader > Encrypt** path.
3. It's recommended to connect maximum four readers to one C2-260.
4. A single RS485 reader interface can supply a maximum of 750 mA (12V) current. So the entire current consumption should be less than the max value when the readers share the power with the panel.

Setting the RS485 Address:

RS485 reader connection: Set the RS485 address (device number) of the reader by DIP switch or software.

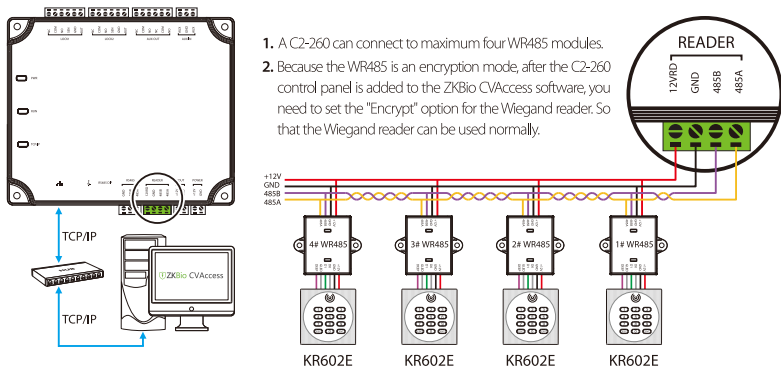
RS485 address Control Panel	1	2	3	4
C2-260	#1Door IN	#1Door OUT	#2Door IN	#2Door OUT

Important Notes:

1. RS485 communication wires should be a shielded twisted pair cable and adopt bus cascade topology.
2. A single RS485 bus can connect up to **63** access control panels, but preferably **32** is recommended maximum.
3. To eliminate signal attenuation in communication cables and suppress interference, if the bus is longer than 200 meters, set the number **8** DIP switch to the **ON** position.

10. Wiegand Reader Connection

The Control panel supports the connection of Wiegand reader via WR485 module. The wiring is shown in the figure below.



Controller Supported Wiegand reader Models:

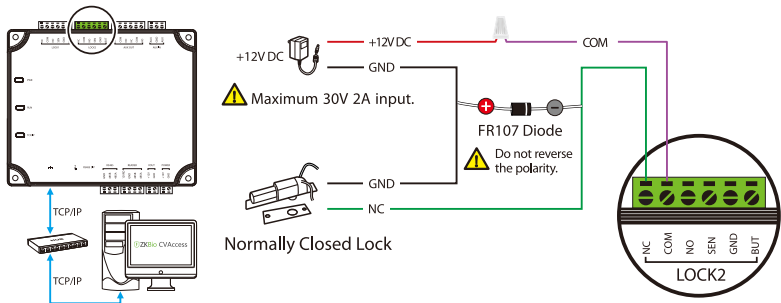
Reader Model	Wiegand26/34	Wiegand66
KR100/101/102E/M	✓	✗
KR200/201/202E/M	✓	✗
KR310	✓	✗
KR500E/501M/502E/M/503E	✓	✗
KR600/601/602E/M	✓	✗
KR610/611/612E	✓	✗
KR610/611/612D	✓	✓
KR610/611/612DL	✓	✓
ProID10/20/30/40 E/M	✓	✗
ProID10/20/30/40 D	✓	✓
ProID20/30BEMD-RS	✓	✓
KR900 Series	✓	✓

Remarks: ✓ means connectable, ✗ means not connectable.

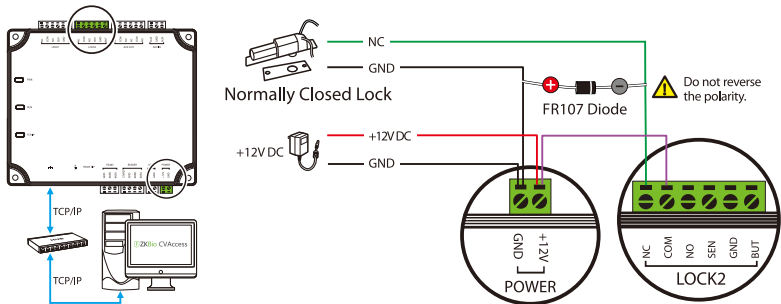
11. Lock Relay Connection

The system supports both **Normally Opened Lock** and **Normally Closed Lock**. The **NO Lock** (Normally Opened when powered) is connected with 'NO' and 'COM' terminals, and the **NC Lock** (Normally Closed when powered) is connected with 'NC' and 'COM' terminals. The power can be shared with the lock or can be used separately for the lock, as shown in the example with NC Lock below.

❖ Device not sharing power with the lock



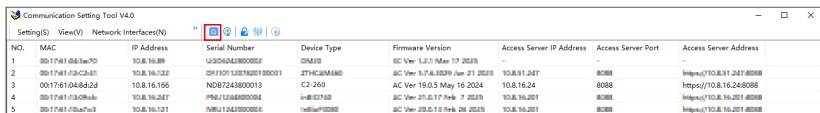
❖ Device sharing power with the lock



12. Connect to ZKBio CVAccess Software


1. Search for Devices

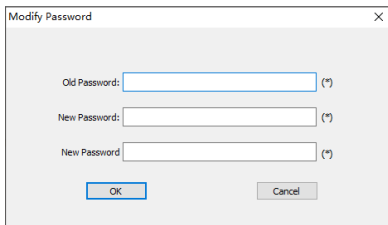
Search for devices using the **DeviceSettingTool_V4.0** search tool. Click the  icon to search for devices.



NO.	MAC	IP Address	Serial Number	Device Type	Firmware Version	Access Server IP Address	Access Server Port	Access Server Address
1	0017F810681a70	10.8.16.89	U3D62418000002	DM33	BC Ver 1.2.0 Mar 17 2020	-	-	-
2	0017F8103C3A87	10.8.16.122	0F1101132762180001	ZYHC08888	BC Ver 9.7.6.8529 Jun 21 2020	10.8.16.247	8088	https://10.8.16.247/8088
3	0017F81048d42d	10.8.16.166	NDB7243000013	C2-260	AC Ver 19.0.5 May 16 2024	10.8.16.24	8088	https://10.8.16.24/8088
4	0017F81030964c	10.8.16.267	PN6J13688900004	i-B-02780	BC Ver 27.0.17 Feb 7 2020	10.8.16.201	8088	https://10.8.16.201/8088
5	0017F8103a2a7cd	10.8.16.121	N6LJ12420000005	redCap00000	BC Ver 20.0.1.0 Feb 26 2020	10.8.16.201	8088	https://10.8.16.201/8088

2. Change Communication Password

Select the searched device and click the  icon to change the communication password. For the first time to change the password, the default communication password is **Zk@123**, and the new password is a combination of 2~6 digit alphabetic characters. **Note:** If the communication password is forgotten, the device can be reset to its factory settings, and the password will automatically revert to the default value.



Modify Password

Old Password: (*)

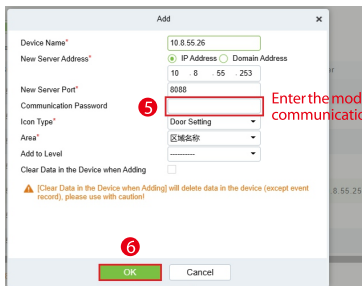
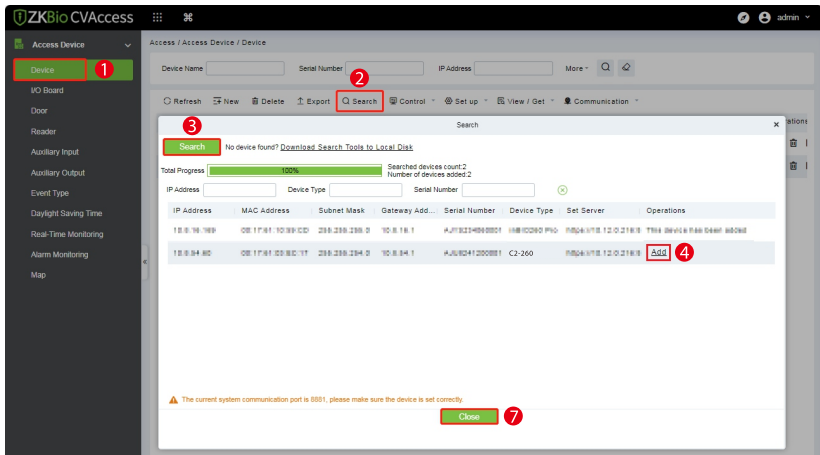
New Password: (*)

New Password: (*)

OK Cancel

3. Add Device on the Software

1. Click **[Access]** > **[Device Management]** > **[Device]** > **[Search]**, to open the Search interface in the software.
2. Click **[Search]**, and it will prompt Searching.....
3. After searching, the list and total number of access controllers will be displayed.
4. Click **[Add]** in operation column, a new window will pop-up. Enter the communication password, select Icon type, Area, and Add to Level from each dropdown and click **[OK]** to add the device.



5. Click **[Personnel]** > **[Person]** > **[New]** to register users in the software.
6. Add users to access levels.
7. Click **[Access]** > **[Device Management]** > **[Device]** > **[Control]** > **[Synchronize All Data to Devices]**.
For more details, please refer to the ZKBio CVAccess User Manual.

ZKTeco Industrial Park, No. 32, Industrial Road,
Tangxia Town, Dongguan, China.

Phone : +86 769 - 82109991

Fax : +86 755 - 89602394

www.zkteco.com

