

# Quick Start Guide

---

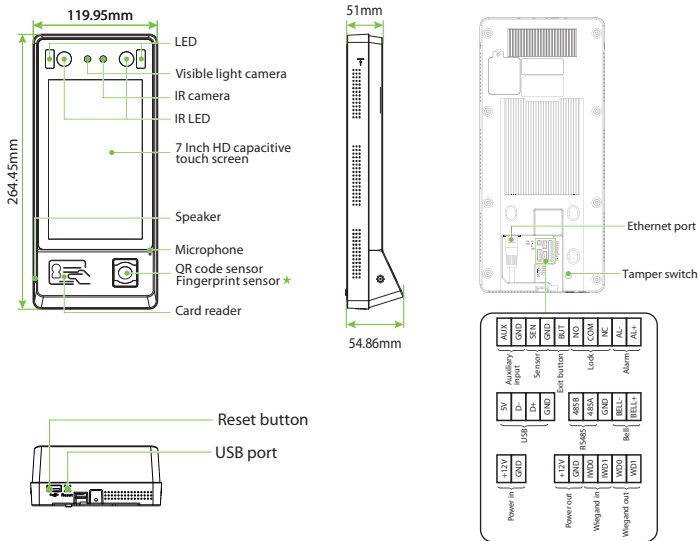
## LockerPad G4 Pro Series

Date: 01/17/2024

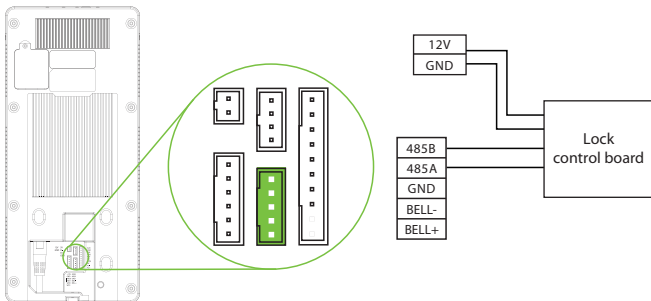
Version: 1.0

Language: English

# Overview

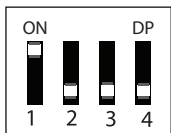


# RS485 connection of lock control board



LockerPad-G4 Pro can supply electricity to one lock control. If two or more lock control board is in use, the lock control boards need to be powered by independent power.

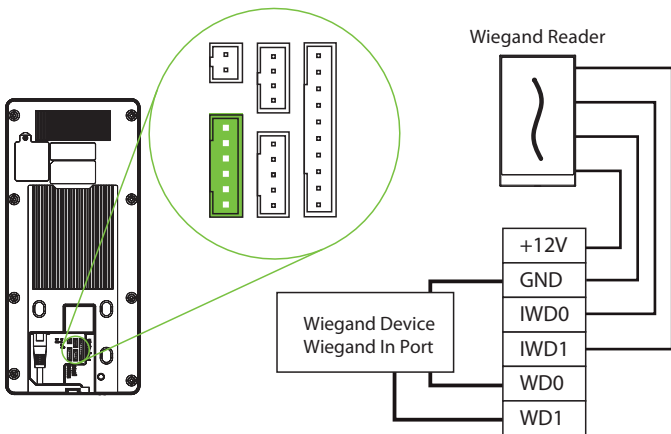
## Lock Control Board Address Code Settings



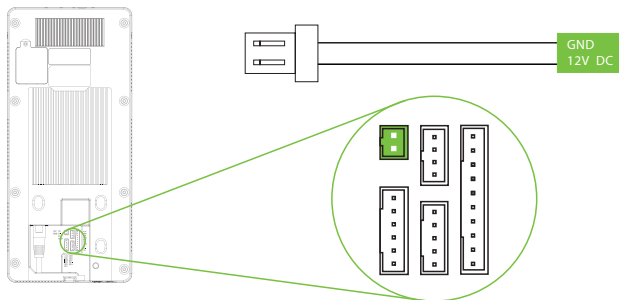
Board ID	Lock Range	Switch 1	Switch 2	Switch 3	Switch 4
1	1-12	1	0	0	0
2	13-24	0	1	0	0
3	25-36	1	1	0	0
4	37-48	0	0	1	0
5	49-60	1	0	1	0
6	61-72	0	1	1	0
7	73-84	1	1	1	0
8	85-96	0	0	0	1

Notice: Notice: When the Compartment cannot be unlocked after verification, or the lock is unlocked incorrectly, please check whether the lock control board address code is set correctly.

## Wiegand Input Connection



## Power Connection



### Recommended power supply

- 1) 12V  $\pm$  10%, at least 3000mA.
- 2) To share the power with other devices, use a power supply with higher current ratings.

## Parameter Settings

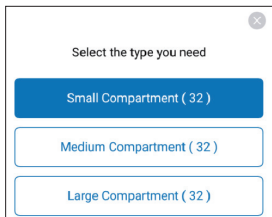
Parameter Name	Default Value	Other Value
Allow Visitor to Use	Open	Close
Allow Sharing the Compartment	Close	Open
Allow Halfway Out	Open	Close
Wiegand Format	Wiegand26	Wiegand26 26a; Wiegand34 34a; Wiegand36 36a; Wiegand37 37a; Wiegand50
Wiegand Input Bits	26	34; 36; 37; 50
Compartment Size	Small Compartment	Medium Compartment Large Compartment
Number of Compartment	12	1-96

Notice: On this document, we just guide you the basic parameters, if you want more details about settings, please check user manual document.

# Storage and Pick-up

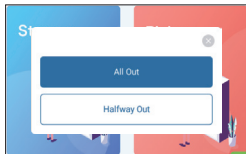
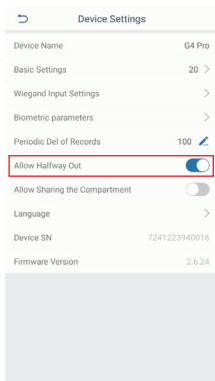
**Storage:** Click this icon  to enter the storage process.

When there are multiple types of compartments, the user successfully authenticates and selects the desired type of compartment, and the compartment is automatically unlocked.



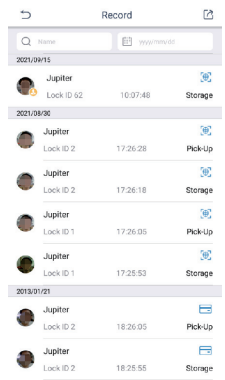
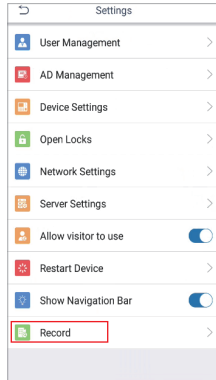
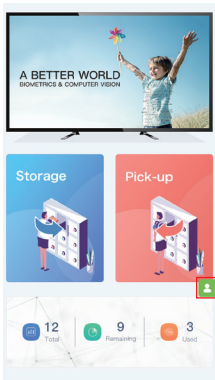
**Pick-up:** Click this icon  to enter the pick-up process.

- If the administrator has set "Allow Halfway Out" after clicking the pickup, the system will prompt a question asking whether to set as [All Out] or [Halfway Out].
- If the administrator does not set to Allow Halfway Out, the user can only pick up once and must take out all items at one time.



# View Records

Click  > [Settings] > [Record] on the device to view the records.



ZKTeco Industrial Park, No.32, Industrial Road  
Tangxia Town, Dongguan, China.

Phone : +86 769-82109991

Fax : +86 755-89602394

