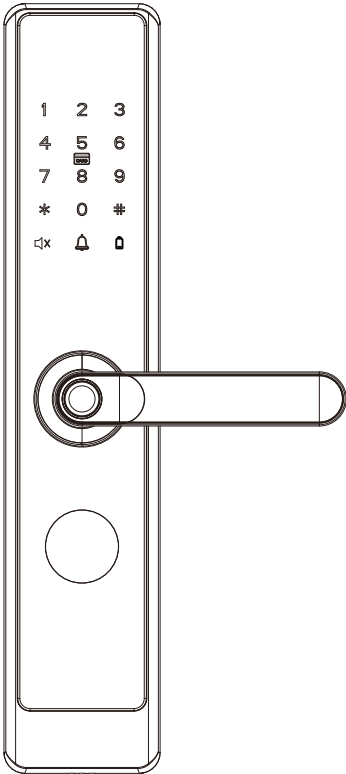


# Installation Guide

---

Model: TL700 Series

Version: 1.0



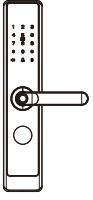
# Important Notes

1. Please read this Installation Guide carefully and contact the Customer Care Service if you have any questions about the installation.
2. To avoid any future service charges that can arise as a result of incorrect installation, it is recommended that installation can be performed by a professional technician to prevent any potential service charges that can occur due to incorrect installation.
3. We regularly revise the contents of this Installation Guide and update our products to enhance quality and performance without prior notice.
4. You must perform the initialization process on each installation immediately after installing this lock on any door, as described in the initialization procedure on page 8.
5. Do not install the batteries until the lock is installed.

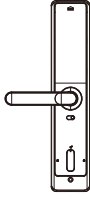
# Table of Contents

<b>What's in the Box.....</b>	<b>1</b>
<b>Installation Diagram.....</b>	<b>2</b>
<b>Installation Procedure.....</b>	<b>3</b>
1. Door Properties.....	3
2. Drill Holes on the Door.....	4
3. Install Mortise and Cylinder .....	5
4. Install Spindle and Studs.....	5
5. Install the Outdoor Unit.....	6
6. Install Indoor Unit.....	6
7. Install Strike Plate and Box.....	7
8. Physical Test.....	8

# What's in the Box



Outdoor Unit



Indoor Unit



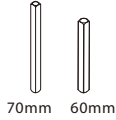
Mortise



Strike Plate and Box



Keys



70mm 60mm

Spindle A



Spindle B



Stud



Screw A



Screw B



32mm

Screw C



45mm

Screw D



Cylinder



Metal Pin



Plug

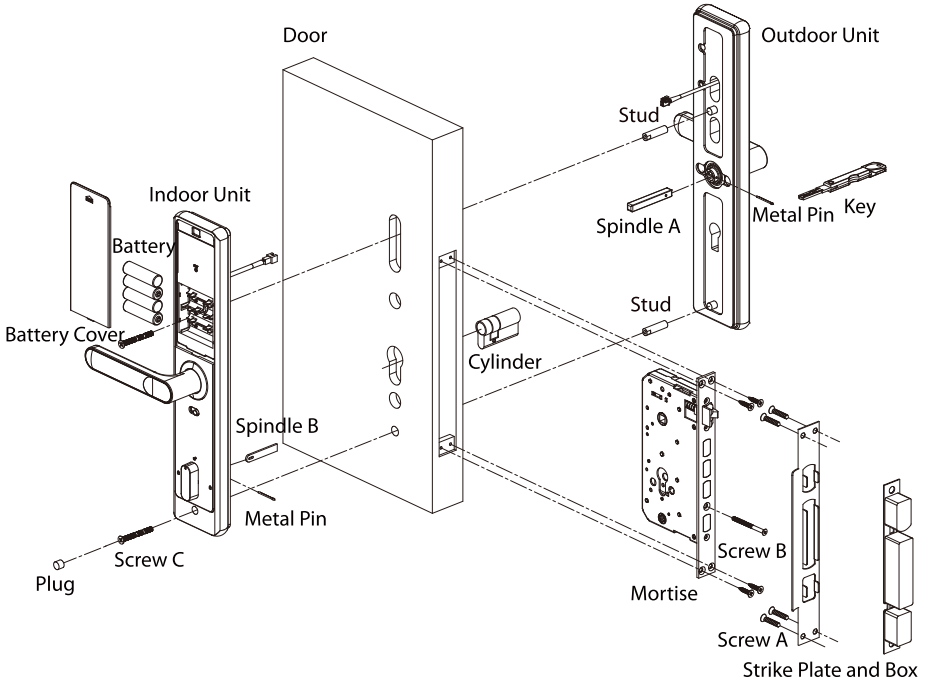


Cards

## Note:

The standard kit includes screws and spindles for doors with thickness ranging from 45 to 60 mm. Please make sure your door thickness.

# Installation Diagram



# Installation Procedure

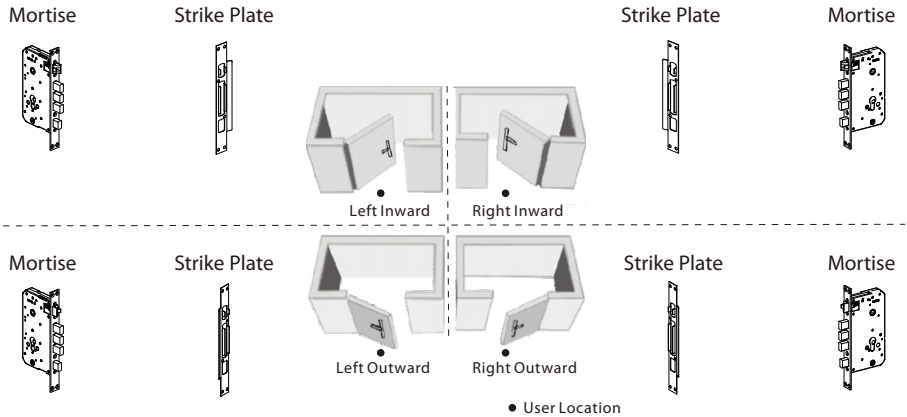
## 1 Door Properties

### A. Measure the Door Thickness

Measure the thickness of the door and cut the Spindle and Screws to proper length. For further details, please refer the table on Page 1.

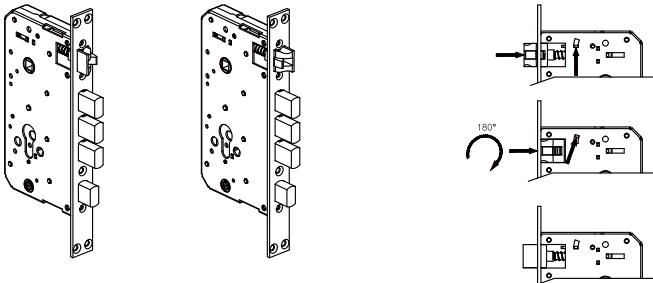
### B. Check the Door Opening Direction

The position of the handle is determined by the opening direction of the door. Below is the graphical representation of the door opening direction in reference to your position outside the room.



### Adjust the Direction of Latch (if needed)

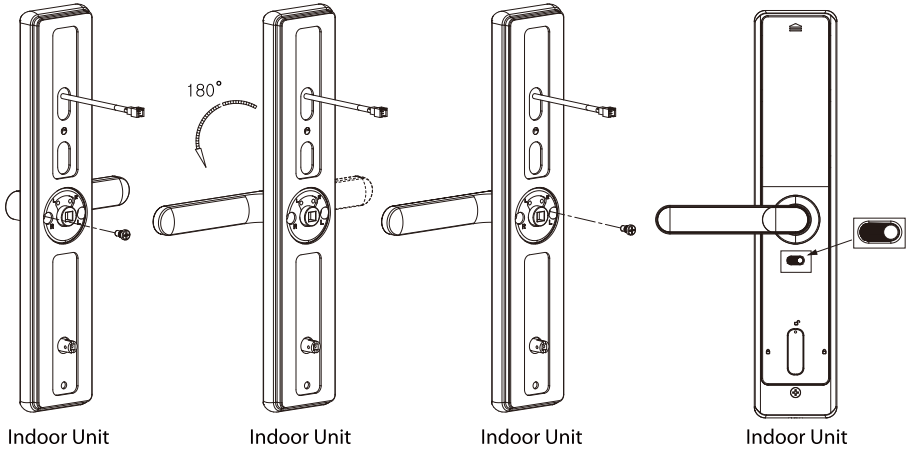
- 1) Push the reverse block in upward direction.
- 2) Push the bolt of the latch into the mortise.
- 3) Rotate the latch bolt to 180° inside the mortise, and release it.



### C. Change the Handle Direction (if needed)

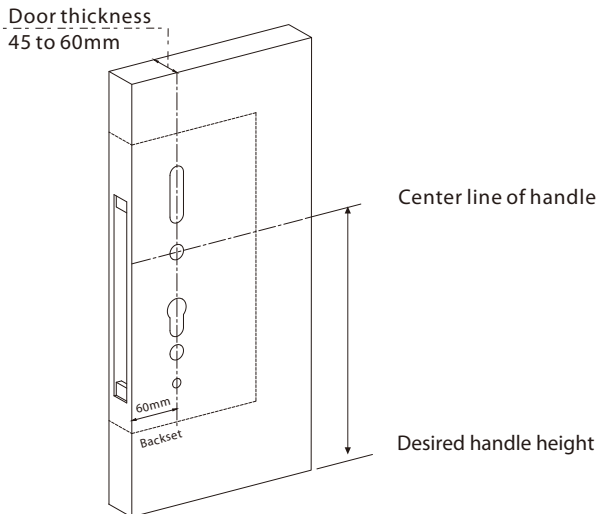
- 1) Remove the directional screw of the handle, rotate the handles of the outdoor and indoor units to 180 degrees in the left or right direction, depending on the door.
- 2) Secure the handle again with the directional screw.

**Note:** Before changing direction, please make sure the Security Knob is at the right side.



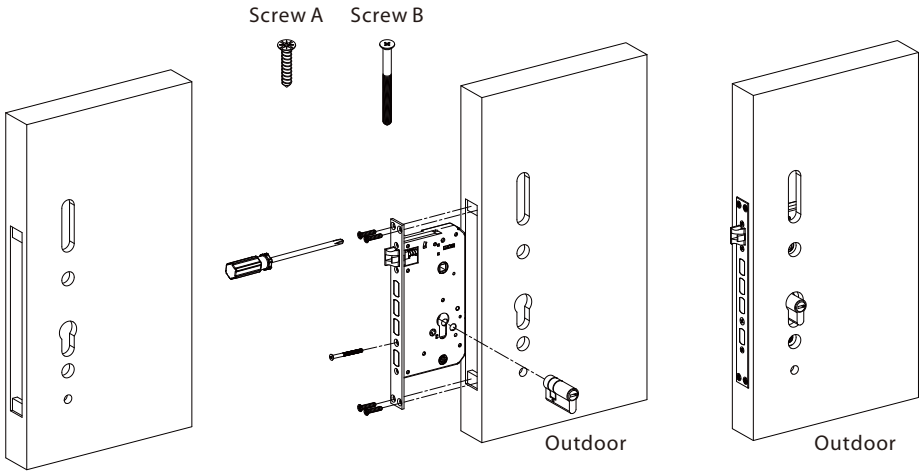
## 2 Drill Holes on the Door

- 1) Place the installation template at the desired handle height.
- 2) Mark the holes to be drilled and drill the marked locations.



### 3 Install Mortise and Cylinder

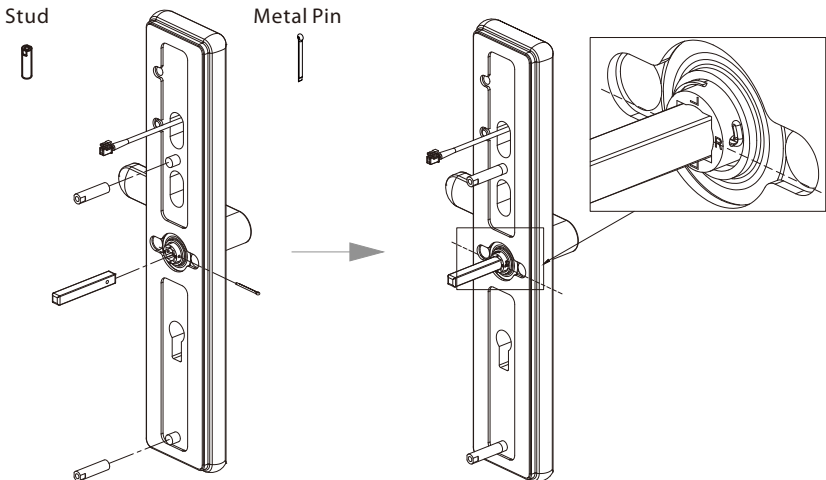
- 1) Put the Mortise into the hole that was drilled and secure the Mortise with Screw A.
- 2) Insert the Cylinder into the Mortise (the front sides and back sides) and secure it with Screw B.



### 4 Install Spindle and Studs

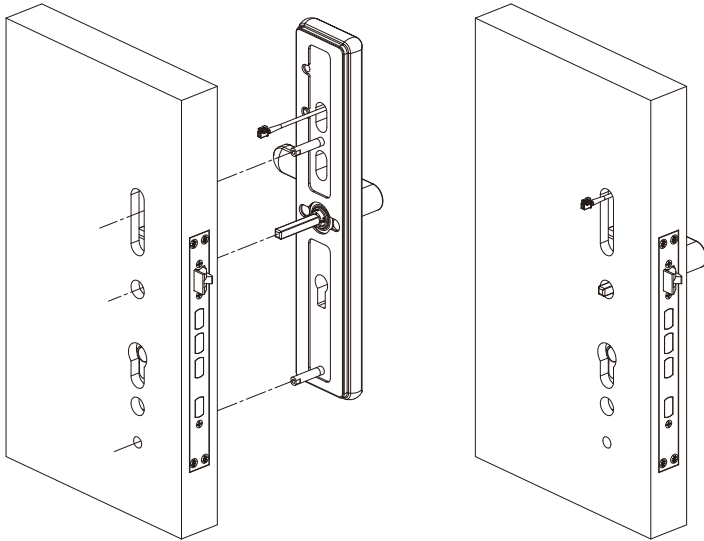
- 1) Insert the Spindle A into the clutch, then insert the Metal Pin from the bottom of the clutch, forcing the pin apart and bending it to hold the Spindle A.
- 2) Then, install the studs.

**Note:** After installing the spindle, please turn the clutch direction in the door open direction, the lock in the picture is right open, so the clutch was turned to right side.



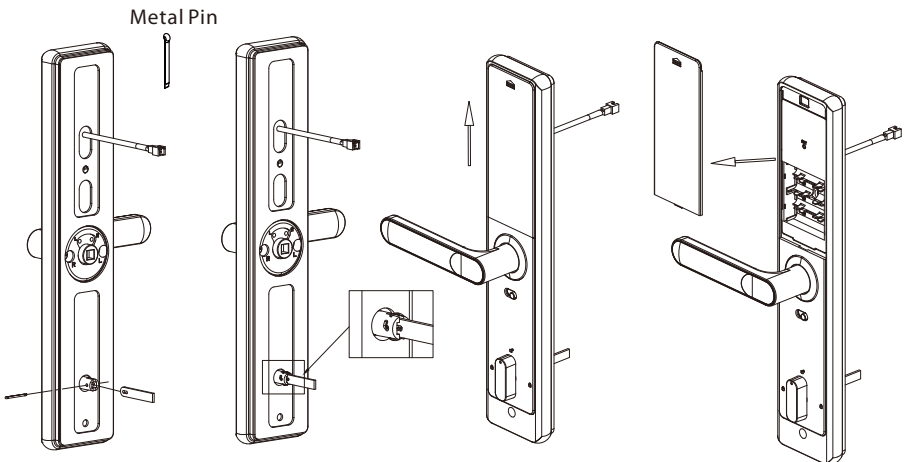
## 5 Install the Outdoor Unit

- 1) Pass the outdoor unit cable through the top of the cable hole.
- 2) Pass the Spindle A through the hole of the clutch and the outdoor unit must be close to the entrance.

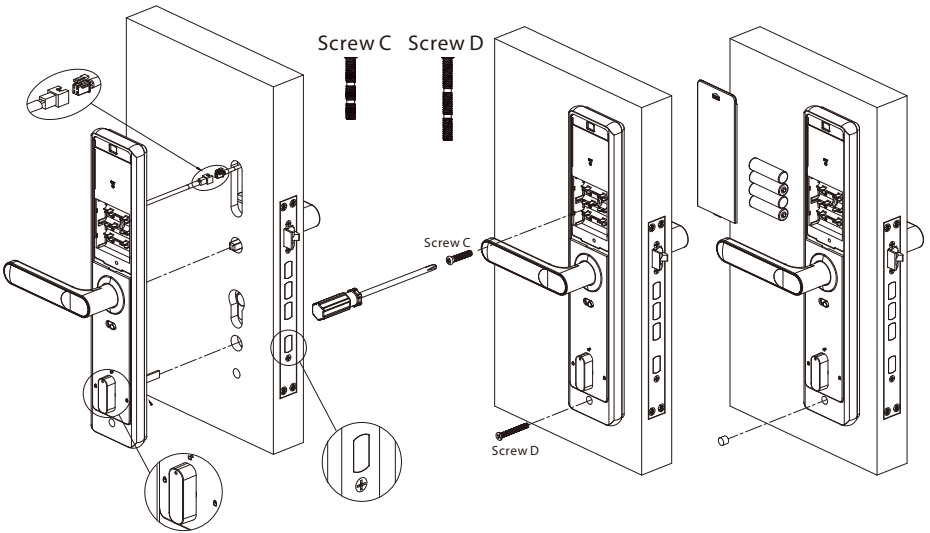


## 6 Install Indoor Unit

- 1) Insert the Metal pin on Spindle B, and uninstall the battery cover.
- 2) Connect the cable to the Indoor Unit port.
- 3) Place the Indoor Unit appropriately on the Mounting Plate and use Screw C to protect the Indoor Unit.
- 4) Then install the batteries and plug.

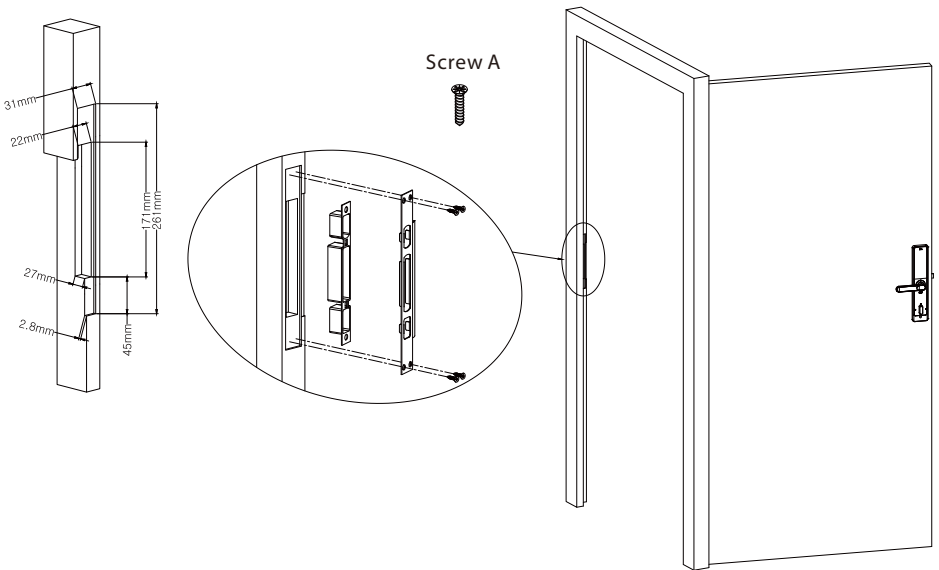






## 7 Install Strike Plate and Box

- 1) Make sure that the Strike Box is aligned with the latch bolt. Then, use the installation template to drill the holes.
- 2) Align the Strike Plate and Box with the holes drilled and protect them with Screw A.



## 8 Physical Test

### A. Test the lock by rotating the handle and the double locking knob.

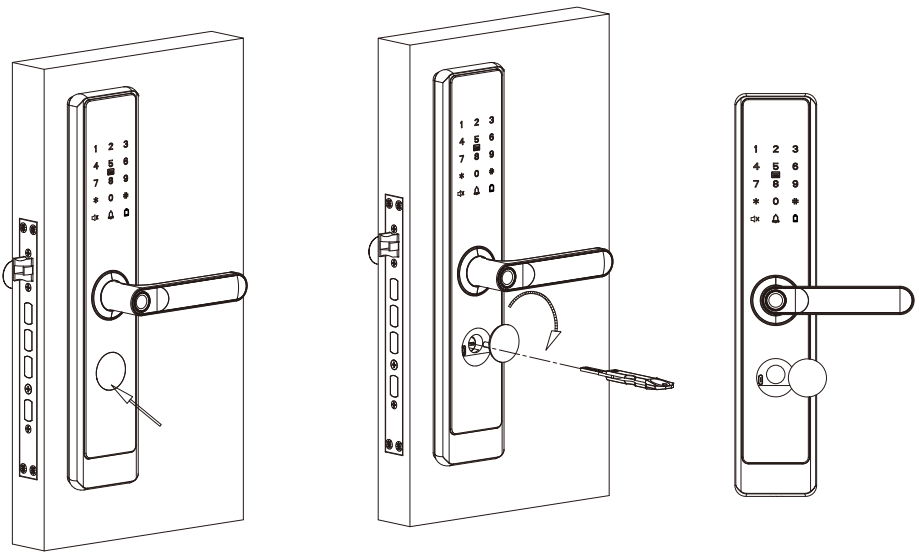
**Note:**

- 1) The front handle can be rotated even when the door is closed, but the door remains unlocked.
- 2) When the Security knob is turned on, the door remains unlocked even if the handle is rotated from indoor.
- 3) If push handle is downward then the lock closes. It is installation problem, please refer to step 4 installation.

### B. Test the lock by using the mechanical key

- 1) Press and rotate the cover of the key hole to 180° with your finger.
- 2) Insert the Key into key hole and rotate 90°.

**Note:** Please secure your keys for emergency purpose.



# User Manual

## Important Notes

1. TL700 is an intelligent Smart Lock. If the lock is not installed properly, it may affect the lifetime of the lock. We suggest you to install the lock after furnishing. Please prefer a professional technician to install the lock as per our installation standard.
2. Please initialize the lock after installation and set the Administrator immediately to avoid others opening the door illegally.
3. To ensure your security, please check the box of keys when opening the product package.
4. Please keep your Administrator's information confidential.
5. Please keep the mechanical keys in a separate place to avoid any criticality.
6. To use the lock more efficiently, please refer the User Manual before using the lock. If you have any queries, please feel free to contact the Company's Client Service Center from any place or contact the Service Center headquarters.
7. Please visit our company's website at anytime for our service information and regular updates of products.
8. Please use the correct method when pressing your fingers onto the fingerprint reader for registration and identification. Our company will assume no liability for recognition issues that may result from incorrect usage of the product. We reserve the right of final interpretation and modification concerning this point.

**Note:** Based on the fingerprint algorithm commonly used in the industry, every fingerprint can be re-registered, the more the same fingerprint registers, the more accurate, but registering fingerprint one time has meets daily use.



OK



Too low



Too close to the edge



OK

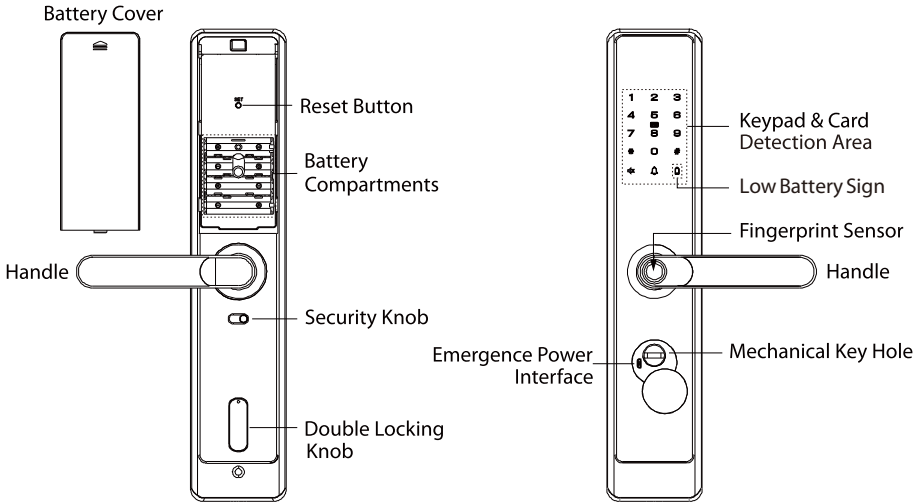


Vertical

# Table of Contents

<b>Product Overview</b> .....	<b>1</b>
<b>Definitions</b> .....	<b>1</b>
<b>How to Use</b> .....	<b>2</b>
1. Reset the Lock.....	2
2. Activate the Lock.....	2
3. Register the First Administrator.....	2
4. Programming the Features through Menu Mode.....	3
5. Pair the Lock with APP (Optional).....	4
<b>Quick Start</b> .....	<b>5</b>
Unlock the Door with Fingerprint.....	5
Unlock the Door with Password.....	5
Unlock the Door with Card.....	5
Unlock the Door with Smart Phone.....	5

# Product Overview



## Definitions

**User Roles:** The lock can be handled by two user roles namely Administrator and User. The Administrator has the privilege to access the menu and open the door. The user has the privilege to only open the door.

**Note:** The first user is Administrator by default, and must be password.

**Initialization:** All the registered user data will be deleted and restored to the factory settings, and default password is 123456, any fingerprint or card is valid.

**Random Password:** To protect the password, users may enter their password with random digits before or after the actual password. The maximum number of entered digits must be less than or equal to 30. For example: If the correct password is 123456, then the random password can be 89123456807, 1234562363, 389123456 etc.

**Backup Enrollment:** After the first registration, users can change the registered password and card, or continue to register the remaining fingerprints.

**Always Open Mode:** This function is to keep the door always unlocked, which is suitable for meeting rooms and places with no access restriction.

**Low Battery Warning:** When the battery power is low, the lock will prompt "**Battery is low, please replace the battery in time.**" after being turned on. If lower, the lock will prompt "**Low battery, shut down soon!**", users cannot access the Main Menu.

**Emergency Charging:** The bottom of the outdoor unit is provided with a Micro-USB interface. Use a power bank to charge the lock when it is out of power.

**Emergency Mechanical Key:** The mechanical key is used to open the door when the lock has electronic malfunction.

**Double Locking:** Double locking prevents the lock from being unlocked from the outside. Users can enable it by rotating the double locking knob.

**Security Mode:** If the security knob is turned on, an intruder cannot unlock the indoor lock by breaking the Peephole. In addition, it is effective to prevent your child wandering away from home.

**Quick Close Function:** Push the handle of outdoor unit upward, the latches will pop-up to close door.

**Doorbell Function:** It has integrated doorbell function on keypad, customer does not need to deploy additional doorbell at all.

## How to Use

### 1 Reset the Lock

Press and hold the **Reset** button for 5 seconds. The lock will beep for 5 times. Keep holding the **Reset** button until you hear the audio prompt, please press **#** key to confirm.

### 2 Activate the Lock

Touch the keypad with the back of your hand or fingers to activate the lock.

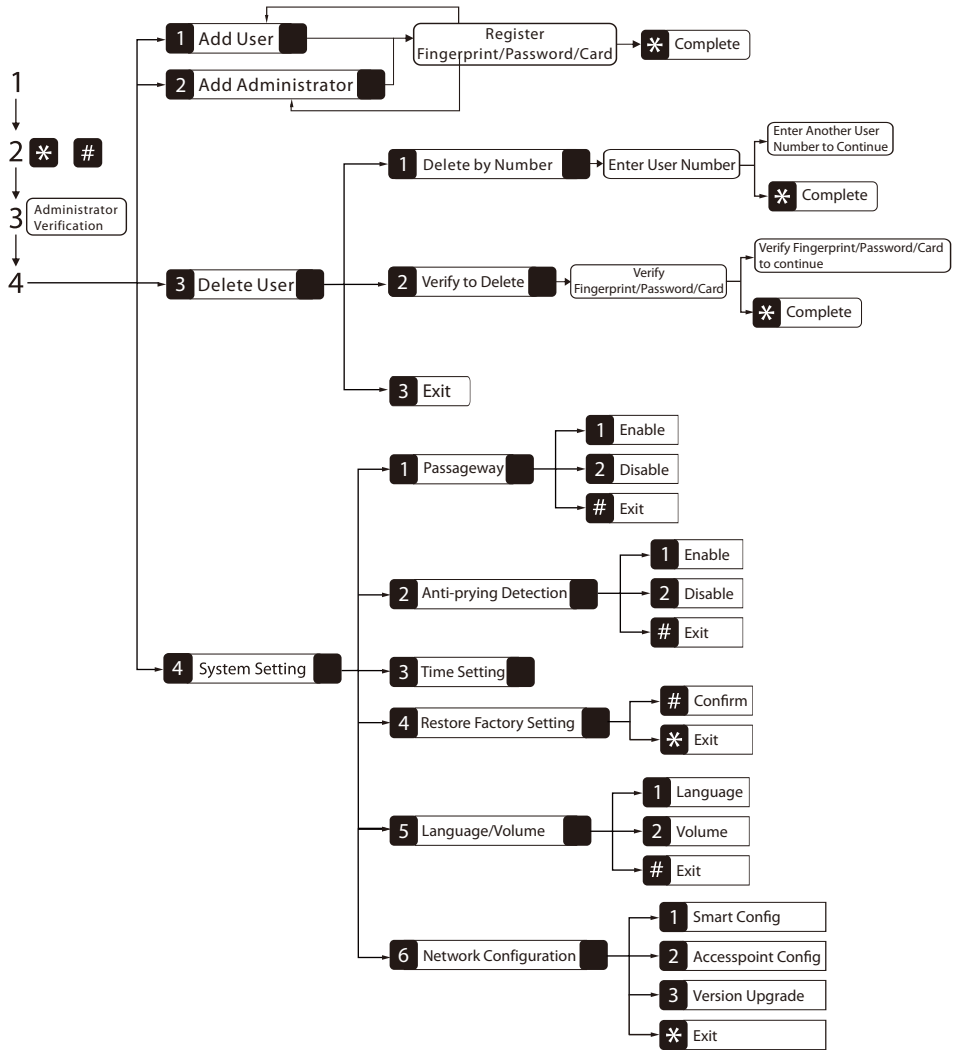
### 3 Register the First Administrator

Press and hold the **Reset** button for 5 seconds. The lock will beep for 5 times. Keep holding the **Reset** button until you hear the audio prompt, please press **#** key to confirm.

- 1) Touch the keypad to activate the lock.
- 2) Press the **\*** and **#** key to start the administrator registration process. The user will hear a prompt "Register administrator, password, press **\*** to exit".
- 3) Enter a 6 to 12 digits password, press **#** to confirm.
- 4) Proceed further according to prompts.

## 4 Programming the Features through Menu Mode

- 1) Touch the keypad to activate the lock.
- 2) Press \* and # key to access the menu.
- 3) Verify the administrator's identity with his/her fingerprint or card, or by entering the password then press # key to confirm.
- 4) Enter the digit corresponding to the function to be performed by following the the audio guide.



**Note:** Network Configuration function is available for TL700[WiFi].

**Note:**

- 1) The registered password can be of 6 to 12 digits.
- 2) The currently logged-in administrator cannot delete his/her admin data.

**5 Pair the Lock with APP (Optional)**

- 1) Search the “ZSmart” App in Apple App Store or Google Play Store and download the App to your mobile phone. Open the “ZSmart” App and log in with your account. If you do not have an account, create an account with your phone number or Email ID.



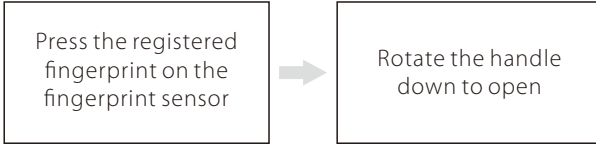
- 2) To pair the device, please connect a secure Wi-Fi network with your smartphone, then open Bluetooth on your phone and near the device smart lock.
- 3) Touch the keypad to activate the lock, then set the **Wireless Configuration** on the lock.
- 4) To search on APP through Bluetooth, click the + button, Add Device in the upper right corner of the home page.



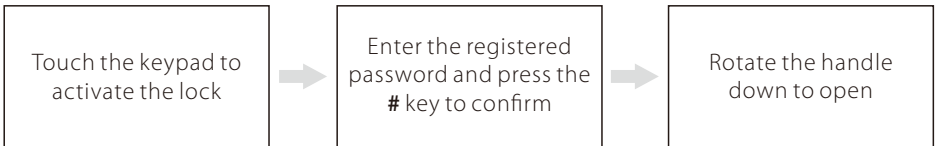
# Quick Start

**Attention:** If the verification is failed for five times, the lock will generate an alarm.

## Unlock the Door with Fingerprint

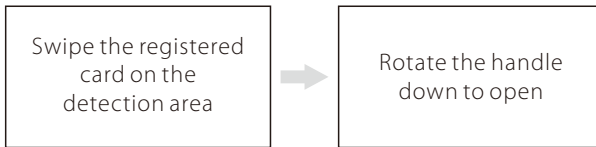


## Unlock the Door with Password

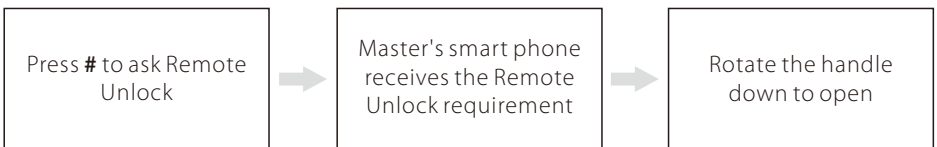


**Note:** Users may enter random password to prevent any person from observing the password. The maximum length of random password is 30 digits.

## Unlock the Door with Card



## Unlock the Door with Smart Phone





## Warning:

This device complies with Part 15 of the FCC Rules. Operation is subject to the following two conditions: (1) This device may not cause harmful interference, and (2) this device must accept any interference received, including interference that may cause undesired operation.

This equipment has been tested and found to comply with the limits for a Class B digital device, pursuant to Part 15 of the FCC Rules. These limits are designed to provide reasonable protection against harmful interference in a residential installation. This equipment generates, uses, and can radiate radio frequency energy and, if not installed and used in accordance with the instructions, may cause harmful interference to radio communications. However, there is no guarantee that interference will not occur in a particular installation. If this equipment does cause harmful interference to radio or television reception, which can be determined by turning the equipment off and on, the user is encouraged to try to correct the interference by one or more of the following measures:

- Reorient or relocate the receiving antenna.
- Increase the separation between the equipment and receiver.
- Connect the equipment into an outlet on a circuit different from that to which the receiver is connected.
- Consult the dealer or an experienced radio/TV technician for help.

## FCC RF Radiation Exposure Statement:

- This Transmitter must not be co-located or operating in conjunction with any other antenna or transmitter.
- This equipment complies with RF radiation exposure limits set forth for an uncontrolled environment.

**IMPORTANT!** Any changes or modifications not expressly approved by the party responsible for compliance could void the user's authority to operate the equipment.