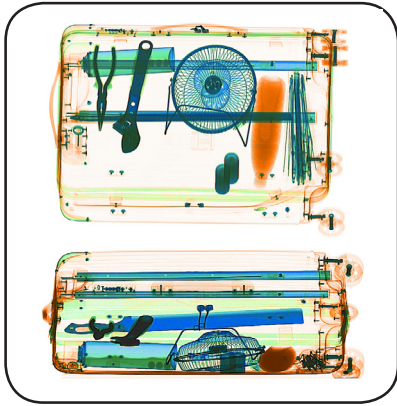


Dual View X-ray Inspection System ZKX6550D



Highlights

- Dual-view technology
- Widely usable for carry-on baggage
- Identify overlapping items easily

Standard

- Fingerprint console board
- Dual monitor operation desk
- Video surveillance

Optional

- Face recognition
- Auto-start function
- Bi-directional scanning
- Rat expelling function

Introduction

ZKX6550D is a dual view x-ray security inspection equipment. ZKX6550D could display horizontal and vertical images by two independent generators, and could detect organic, inorganic or mixtures quickly according to the effective atomic number of objects those are been detected. ZKX6550D could identify overlapping items and contraband easily and precisely.

ZKX6550D X-ray inspection system increases the operator's ability to identify potential threats; the device is designed to scan carry-on baggage. ZKX6550D uses reliable high quality dual energy X-ray generator and the superb image algorithm.

ZKX6550D has innovative biometric identify function for operators, improving the security of system and preventing operator from forgetting password.

With ergonomic modern design, ZKX6550D could help operators to identify suspicious items fast and accurately.

Specifications

Tunnel Size	W655mm × H505mm
Speed	0.20 m/s
Height of Transmission Belt	800 mm
Maximum Load	≤180 kg (Adequate distribution)
Wire Resolution	Bottom Generator: 40AWG\Side Generator: 40AWG
Space Definition	Horizontal Φ1.0mm \ Vertical Φ2.0mm
Penetrate Definition	Bottom Generator: 32AWG\Side Generator:32AWG
Penetration	Bottom Generator: 38mm\Side Generator: 38mm
Monitor	21.5 inch LED x 2
System Function	High density alert, Explosive/ Drug auxiliary detect, TIP, Luggage counter, date/time display, User management, Training.
Film Safety	ASA/ISO1600 standard of film safety

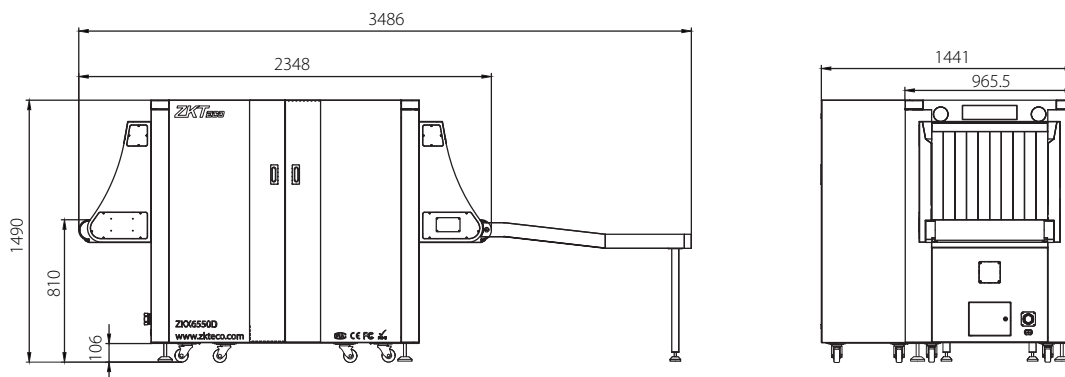
X-ray System

Tube Voltage	160Kv
Cooling	Seal oil cooling / 100%
Single Inspection Dosage Rate	≤1.0 μ Gy
Radiation Leak Dosage	0.1 μ Gy/h (5cm from the surface)

Installation Specification

Package Size	L2500mm× W1600mm× H1550mm
Console Desk Size	L1320mm × W900mm × H1320mm
Package Weight	1000KG+100KG (Console desk)
Power Consumption	1.5 kVA
Noise	55 dB(A)

Dimension



More details

ZKTECO CO.,LTD.
www.zkteco.com
 E-mail: sales@zkteco.com

© Copyright 2017. ZKTECO CO., LTD. ZKTeco Logo is a registered trademark of ZKTECO CO., LTD. or a related company. All other products and company names mentioned are used for identification purposes only and may be the trademarks of their respective owners. All specifications are subject to change without notice. All rights reserved.

