

ZM100

The smart lock with hybrid biometric recognition technology



Face Recognition

ZK Face Algorithm V7.0
Verification Speed < 1s



Touch Screen

2.8 Inches Capacitive
Screen with Visual Menu



SilkID Sensor

PIV Certificate, Live Fingerprint
Detection (Dry, Wet, Rough).



Lithium Battery

The Rechargeable Battery Can Last
One Year When It Is Fully Charged



Mutiple language

English, Spanish, Portuguese
(Support Customization)



Mifare Card

Advanced Encryption
Technology



Smart Alarm

Low Battery Warning
& Illegal Operation



USB Port

Upload and Download
the Data via USB

Features

- Accurate and high-speed face recognition in 1:N mode
- Capacitive touch screen with visual icon menu
- Equipped with SilkID fingerprint sensor
- Provide high security unlock way by safety mode - Face+Fingerprint
- Rechargeable lithium battery
- Reversible design to fit for all door open direction
- External terminals to draw back-up power from a 9V battery
- Smart alarm for low battery & illegal operation & Anti break-in
- Supported passage mode

Specifications

Material	Zinc Alloy
100 User	Face/FP/Password/RFID Card
Card Module	Mifare
Communication	USB
Power Supply	4000mAh lithium battery
Battery Life	Over 8000 times
Door Thickness	35 - 90 mm
Dimensions	Front - 78(W)×350(L)×44(D) mm
	Back - 78(W)×350(L)×34(D) mm



Antique Copper

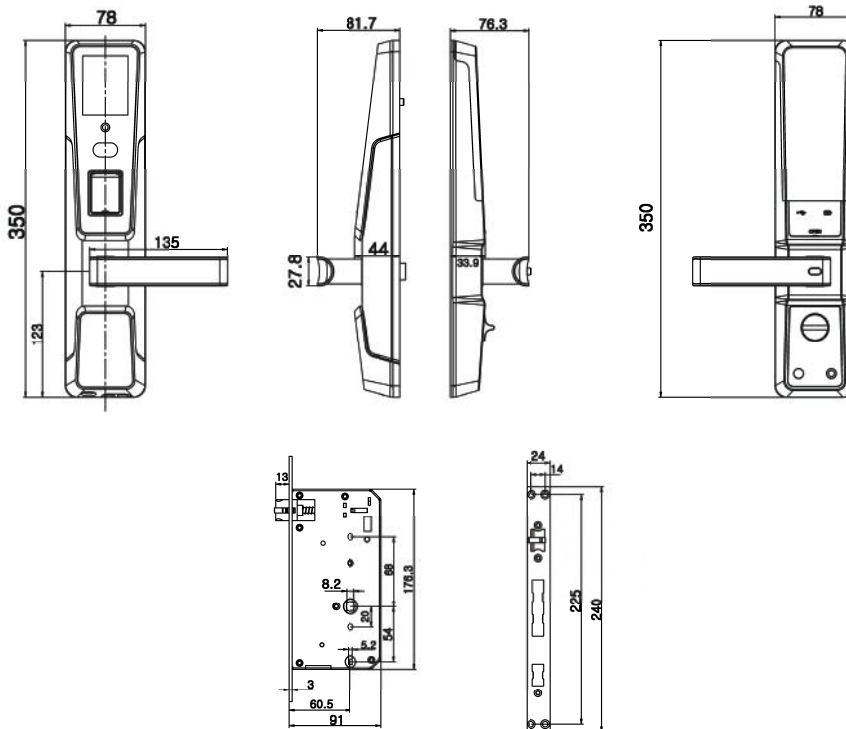


Silver



Gold

Dimensions



More details

ZKTECO CO.,LTD.
www.zkteco.com
 E-mail: sales@zkteco.com

© Copyright 2017. ZKTECO CO., LTD. ZKTECO Logo is a registered trademark of ZKTECO or a related company. All other product and company names mentioned are used for identification purposes only and may be the trademarks of their respective owners. All specifications are subject to change without notice. All rights reserved.

